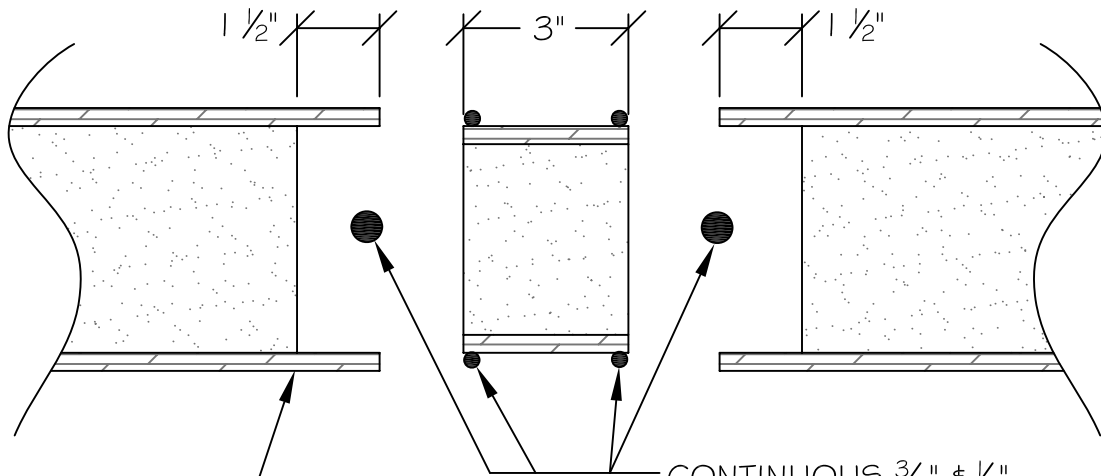


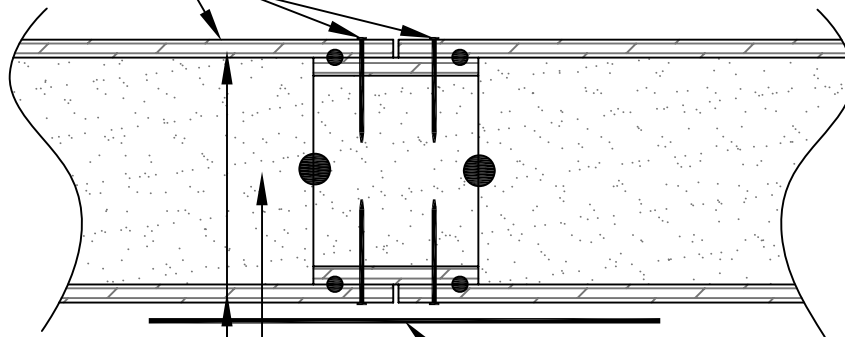
PRE-ASSEMBLED VIEW



CONTINUOUS  $\frac{3}{8}$ "  $\# \frac{1}{2}$ "  
PREMIER MASTIC  
TYPICAL EACH SIDE

EXTREME WALL,  
ROOF, OR  
FLOOR PANEL

$\#8 \times 1 \frac{1}{2}$ " SCREWS @ 8" O.C. OR  
8d NAILS @ 6" O.C. BOTH SIDES  
TOP & BOTTOM (U.N.O.)



$\frac{7}{16}$ " O.S.B. SKINS ON  
BOTH SIDES, TYPICAL

SIP TAPE ON (WINTER)  
WARM SIDE OF PANEL

EXPANDED  
POLYSTYRENE CORE

ASSEMBLED VIEW

SECTION  
NOT TO SCALE

\* DETAIL COURTESY OF PREMIER BUILDING SYSTEMS

DETAIL TITLE : BLOCK SPLINE CONNECTION (STD)

DETAIL NO. : EP-103

PAGE NO. : 1 - 3

UPDATED : 2/5/2009

**Extreme Panel**  
Technologies, Inc.  
QUALITY EFFICIENT BUILDING SYSTEMS