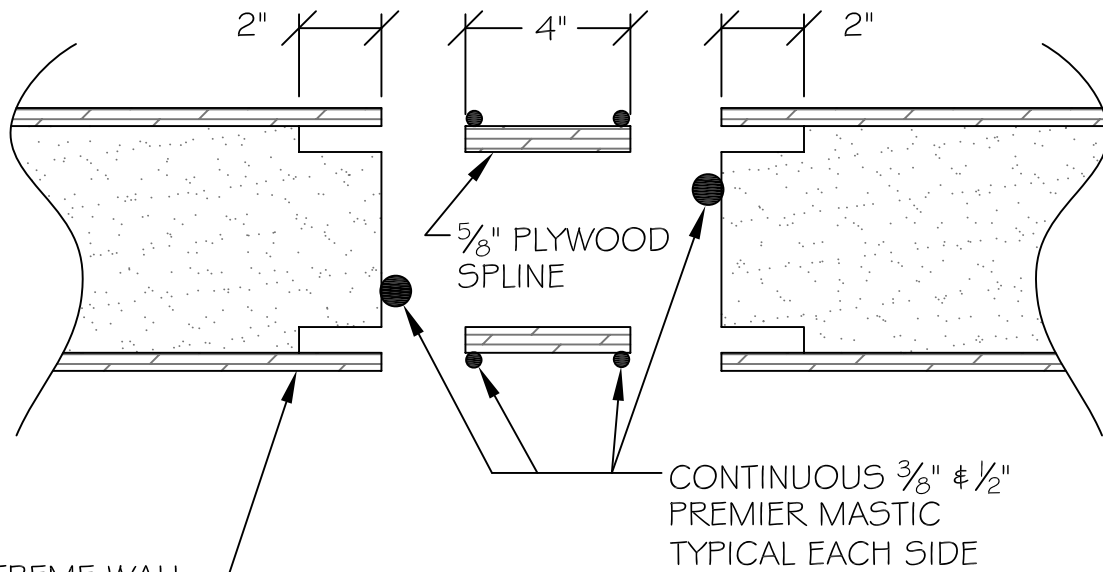


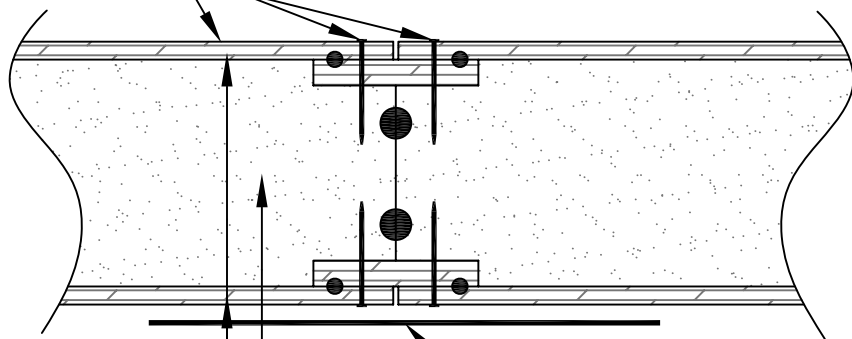
PRE-ASSEMBLED VIEW



EXTREME WALL,
ROOF, OR
FLOOR PANEL

CONTINUOUS $\frac{3}{8}$ " $\# \frac{1}{2}$ "
PREMIER MASTIC
TYPICAL EACH SIDE

$\#8 \times 1 \frac{1}{2}$ " SCREWS @ 8" O.C. OR
8d NAILS @ 6" O.C. BOTH SIDES
TOP & BOTTOM (U.N.O.)



$\frac{7}{16}$ " O.S.B. SKINS ON
BOTH SIDES, TYPICAL

SIP TAPE ON (WINTER)
WARM SIDE OF PANEL

EXPANDED
POLYSTYRENE CORE

ASSEMBLED VIEW

SECTION
NOT TO SCALE

DETAIL TITLE : PLYWOOD SPLINE CONNECTION

DETAIL NO. : EP-106

PAGE NO. : 1 - 6

UPDATED : 2/5/2009

Extreme Panel
Technologies, Inc.
QUALITY EFFICIENT BUILDING SYSTEMS