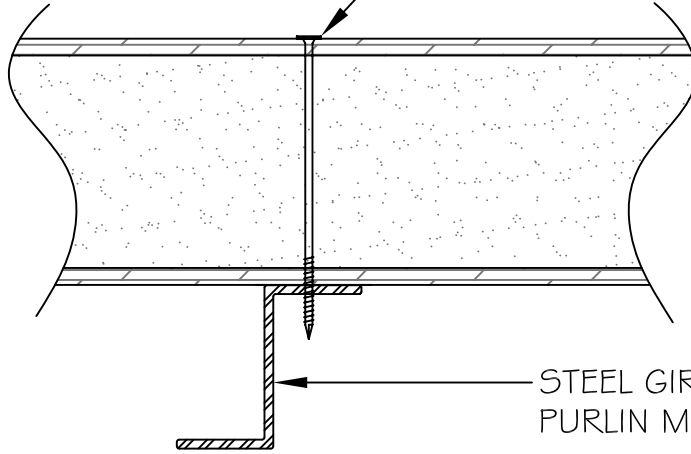
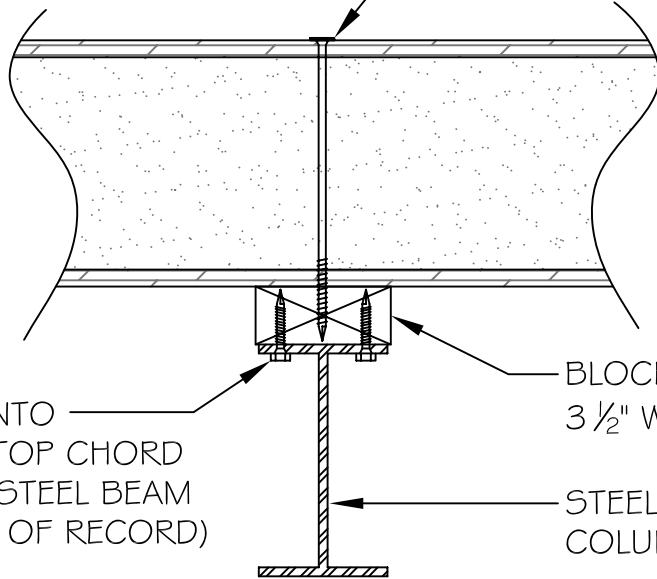


METAL TAPPING PANEL  
SCREWS W/ WASHERS  
@ 12" O.C. (U.N.O.)



STEEL GIRT OR  
PURLIN MEMBER

PANEL SCREWS W/  
WASHERS @ 12" O.C.  
W/ MINIMUM 1"  
PENETRATION INTO  
BLOCKING (U.N.O.)



LAG SCREWS INTO  
BLOCKING TO TOP CHORD  
OF TRUSS OR STEEL BEAM  
(SEE ENGINEER OF RECORD)

BLOCKING MINIMUM  
3 1/2" WIDE

STEEL BEAM OR  
COLUMN MEMBER

SECTION  
NOT TO SCALE

\* DETAIL COURTESY OF PREMIER BUILDING SYSTEMS

DETAIL TITLE : PANEL TO STEEL CONNECTION

DETAIL NO. : EP-109

PAGE NO. : 1 - 9

UPDATED : 2/5/2009

**Extreme Panel**  
Technologies, Inc.  
QUALITY EFFICIENT BUILDING SYSTEMS