

PRE-ASSEMBLED VIEW  
(WITHOUT TOP PLATES)

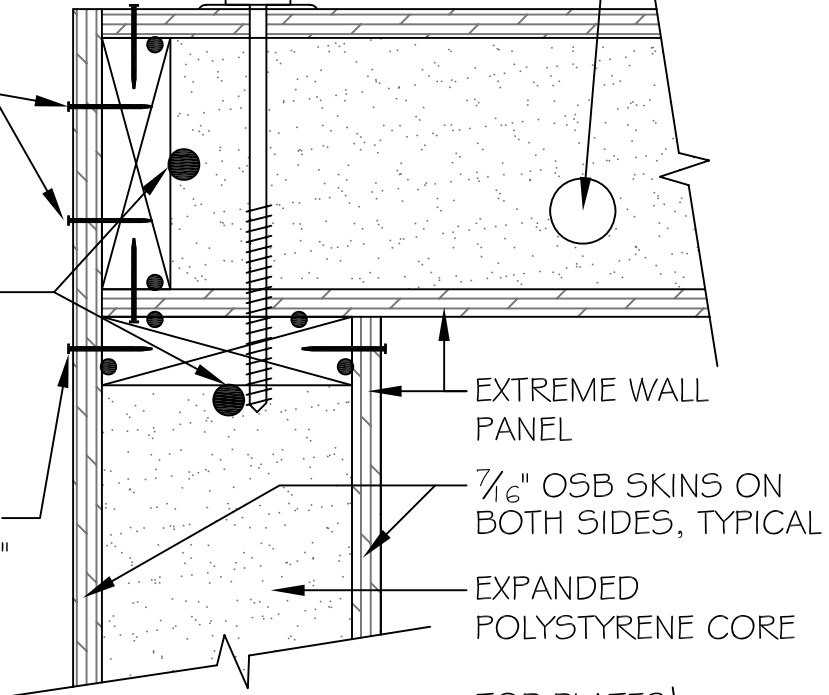
#8x1 1/2" SCREWS  
OR 8d NAILS @ 12"  
O.C. IN 2 ROWS  
STAGGERED

CONTINUOUS 3/8" & 1/2"  
PREMIER MASTIC ON  
EACH SIDE OF  
LUMBER ON EACH  
PANEL

#8x1 1/2" SCREWS @ 8"  
O.C. OR 8d NAILS @ 6"  
O.C. BOTH SIDES, TOP  
AND BOTTOM (U.N.O.)

PANEL SCREWS  
W/ WASHERS AT  
24" O.C. (U.N.O.)

OPTIONAL  
FACTORY  
INSTALLED  
ELECTRICAL  
CHASE



EXTREME WALL  
PANEL

7/16" OSB SKINS ON  
BOTH SIDES, TYPICAL

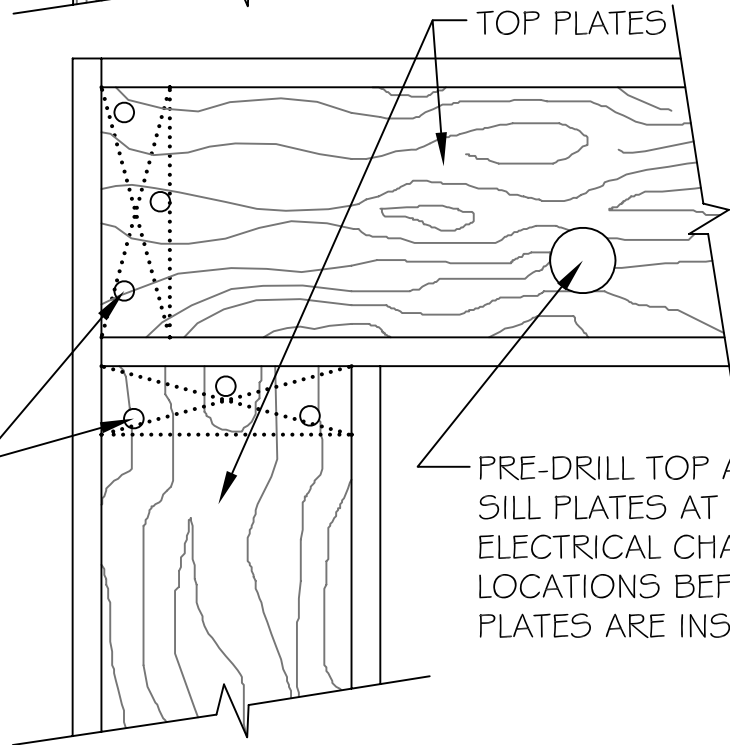
EXPANDED  
POLYSTYRENE CORE

ASSEMBLED VIEW

NAIL OR SCREW THE  
TOP PLATE TO THE  
VERTICAL STUD WITH  
(3) 16d NAILS OR  
(3) #9x3" SCREWS

TOP PLATES

PRE-DRILL TOP AND  
SILL PLATES AT  
ELECTRICAL CHASE  
LOCATIONS BEFORE  
PLATES ARE INSTALLED



SECTION  
NOT TO SCALE

DETAIL TITLE : FLY-BY CORNER CONNECTION ( OPT)

DETAIL NO. : EP-113

PAGE NO. : 1 - 13

UPDATED : 2/5/2009

**Extreme Panel**  
Technologies, Inc.  
QUALITY EFFICIENT BUILDING SYSTEMS