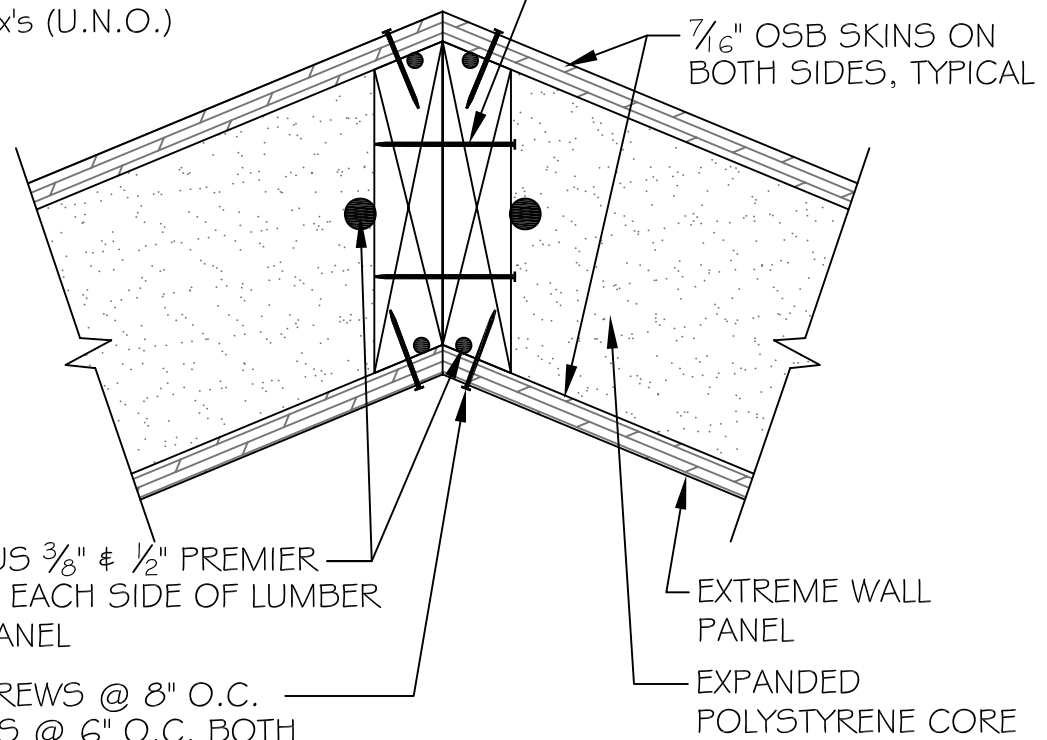


DOUBLE 2x BEVEL SPLINES W/ #9x 3"
SCREWS OR 16d NAILS @ 12" O.C.
IN 2 ROWS STAGGERED W/ PREMIER
MASTIC OR SUBFLOOR ADHESIVE
BETWEEN 2x's (U.N.O.)

PRE-ASSEMBLED VIEW
(WITHOUT TOP PLATES)



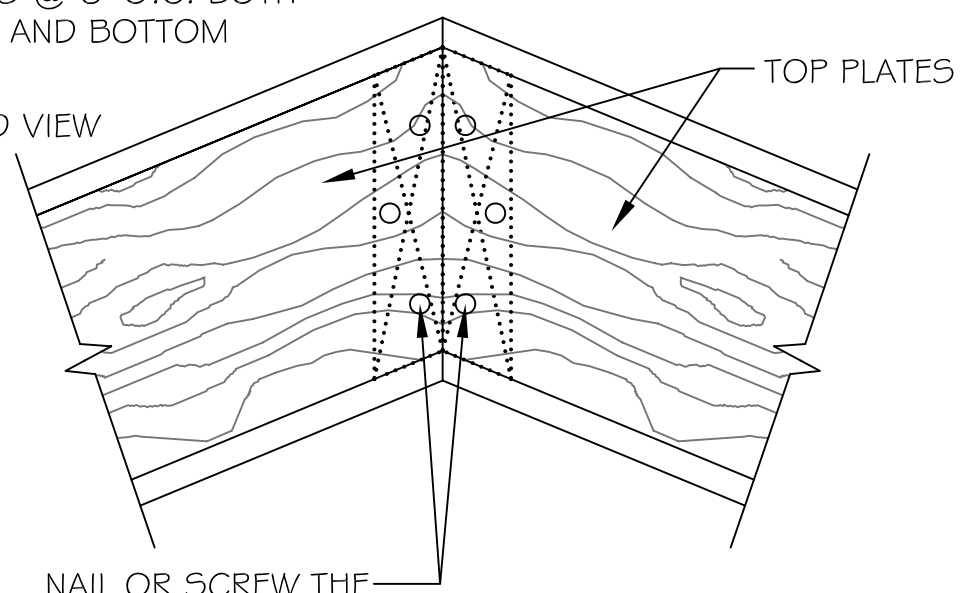
CONTINUOUS $\frac{3}{8}$ " & $\frac{1}{2}$ " PREMIER
MASTIC ON EACH SIDE OF LUMBER
ON EACH PANEL

#8x1 $\frac{1}{2}$ " SCREWS @ 8" O.C.
OR 8d NAILS @ 6" O.C. BOTH
SIDES, TOP AND BOTTOM
(U.N.O.)

EXTREME WALL
PANEL

EXPANDED
POLYSTYRENE CORE

ASSEMBLED VIEW



NAIL OR SCREW THE
TOP PLATE TO THE
VERTICAL STUD WITH
(3) 16d NAILS OR
(3) #9x3" SCREWS

SECTION
NOT TO SCALE

DETAIL TITLE : ANGLD CORNER CONNECTION
DETAIL NO. : EP-114
PAGE NO. : 1 - 14
UPDATED : 2/5/2009

Extreme Panel
Technologies, Inc.
QUALITY EFFICIENT BUILDING SYSTEMS