

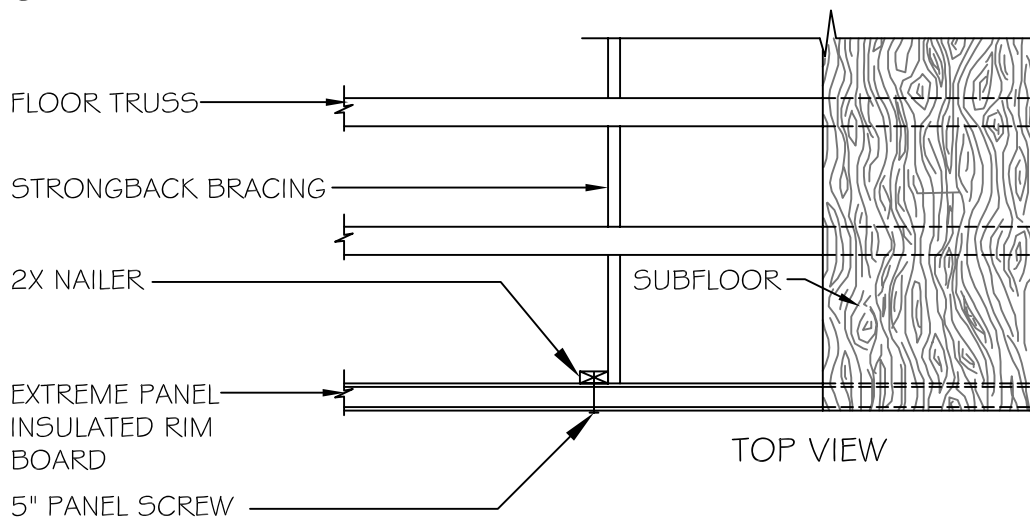
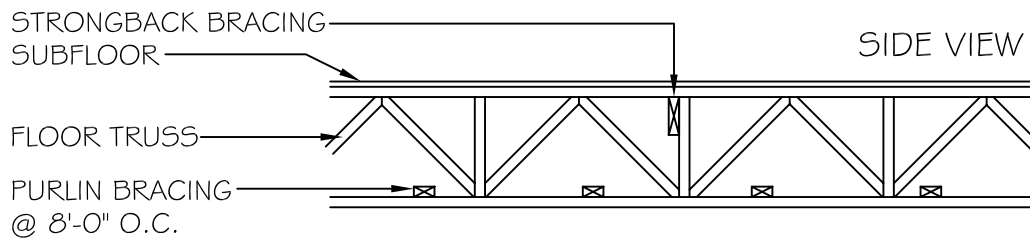
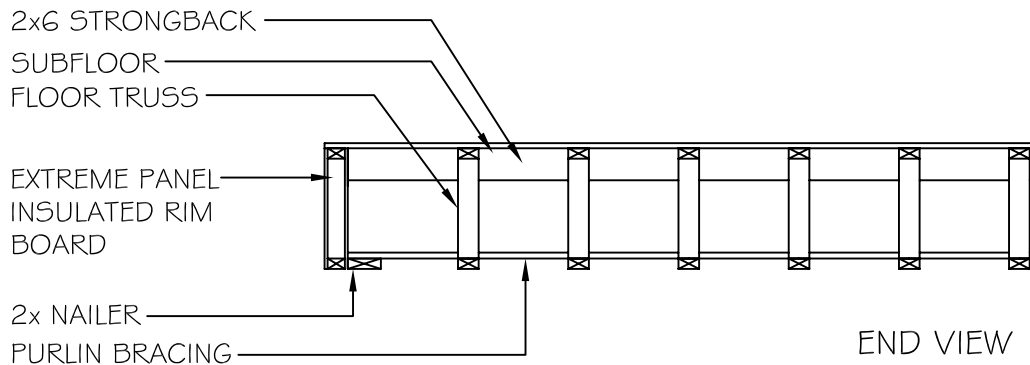
NOTE: STOP RIM BOARD WHERE POINT LOADS GO THROUGH.

WHEN GABLE WALL GOES STRAIGHT THROUGH, THE FLOOR TRUSS MUST START NEXT TO THE WALL.*

STRONGBACK BRACING:

STRONGBACK, 2x6 MINIMUM, SHOULD BE SECURED TO A VERTICAL MEMBER WITH (3) 16d NAILS ON ALL FLOOR TRUSSES. FOR SPANS LESS THAN 20'-0" ONE ROW OF STRONGBACK AT THE CENTERLINE IS SUFFICIENT. FOR SPANS GREATER THAN 20'-0" USE ONE ROW OF STRONGBACK FOR EACH 10'-0" OF TRUSS SPAN. BLOCKING BEHIND THE VERTICAL IS RECOMMENDED WHILE NAILING THE STRONGBACK IN PLACE. STRONGBACK LUMBER SHOULD BE AT LEAST 14'-0" IN LENGTH AND LAPPED 2'-0" AT THERE ENDS OVER TWO ADJACENT FLOOR TRUSSES. ALWAYS FOLLOW THE FLOOR TRUSS LAYOUT FOR THE PLACEMENT OF THE BRACING AND SIZE.

FLOOR JOISTS ARE TO BE FASTENED TO TOP PLATE WITH (3) 16d NAILS OR #9x3" SCREWS. FOR PANELS RUNNING PARALLEL TO THE FLOOR JOISTS, BLOCKING SPACERS MUST BE PLACED 8'-0" O.C. THE ENTIRE LENGTH OF THE HOUSE BETWEEN THE JOISTS.



SECTION
NOT TO SCALE

DETAIL TITLE : BRACING FOR OPEN WEB FLOORING

DETAIL NO. : EP-213

PAGE NO. : 2 - 13

UPDATED : 2/5/2009

Extreme Panel
Technologies, Inc.
QUALITY EFFICIENT BUILDING SYSTEMS