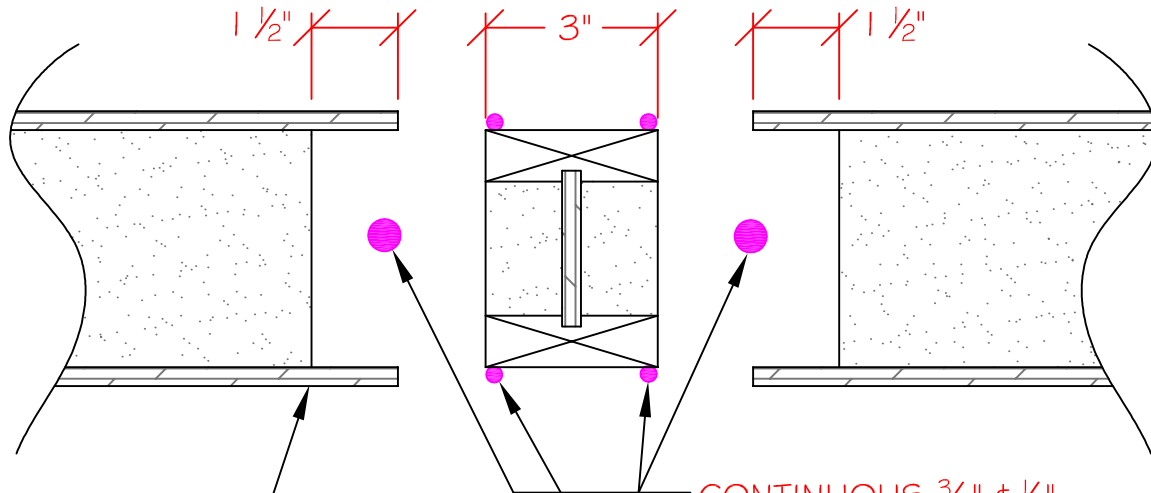


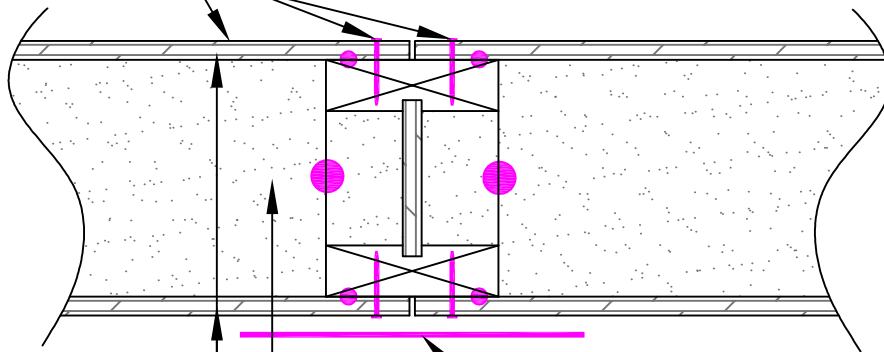
PRE-ASSEMBLED VIEW



CONTINUOUS $\frac{3}{8}$ " \times $\frac{1}{2}$ "
PANEL SEALANT
TYPICAL EACH SIDE

EXTREME WALL,
ROOF, OR
FLOOR PANEL

$1\frac{1}{2}$ " SCREWS @ 8" O.C. OR
2"-8d NAILS @ 6" O.C. BOTH
SIDES TOP & BOTTOM (U.N.O.)



$\frac{7}{16}$ " O.S.B. SKINS ON
BOTH SIDES, TYPICAL

6" SIP TAPE ON (WINTER)
WARM SIDE OF PANEL

EXPANDED
POLYSTYRENE CORE

ASSEMBLED VIEW

SECTION
NOT TO SCALE

DETAIL TITLE : I-JOIST SPLINE CONNECTION

DETAIL NO. : EP-104

PAGE NO. : 1 - 4

UPDATED : MARCH 2017

Extreme Panel

TECHNOLOGIES, INC.

STRUCTURAL INSULATED PANELS