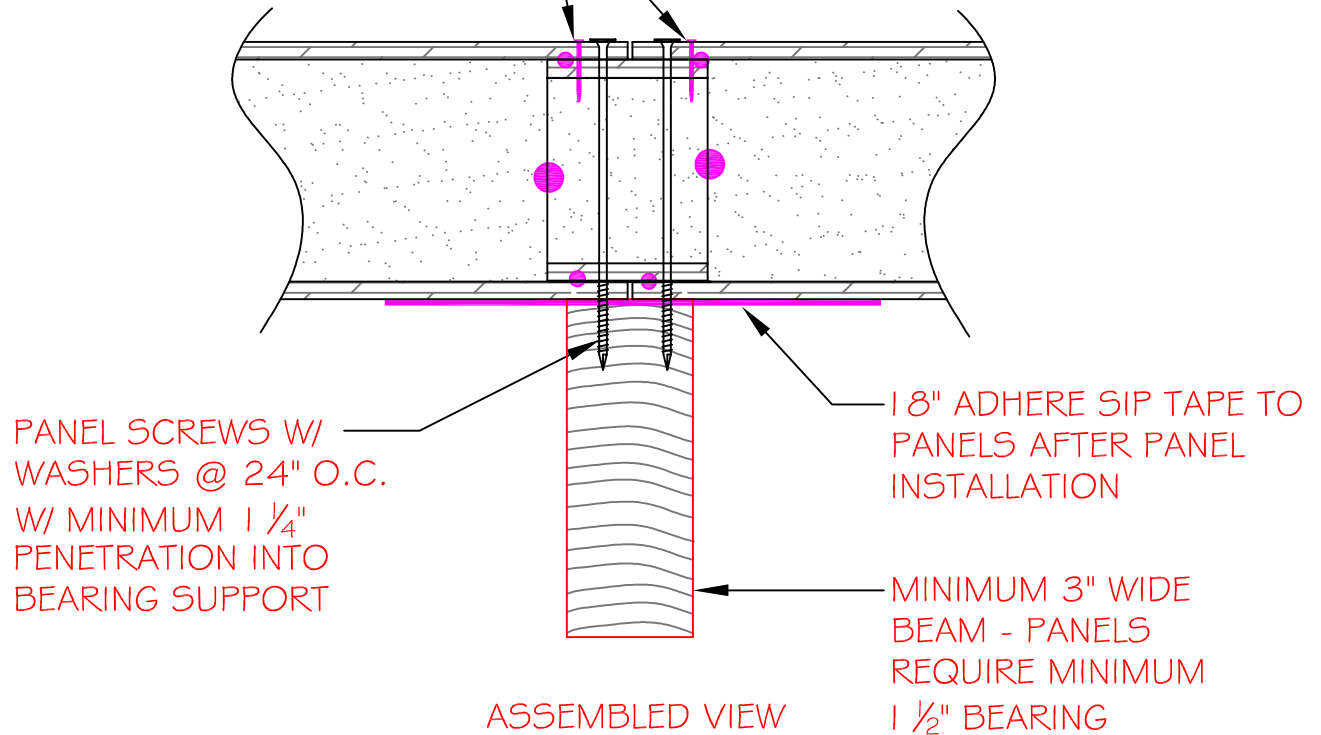
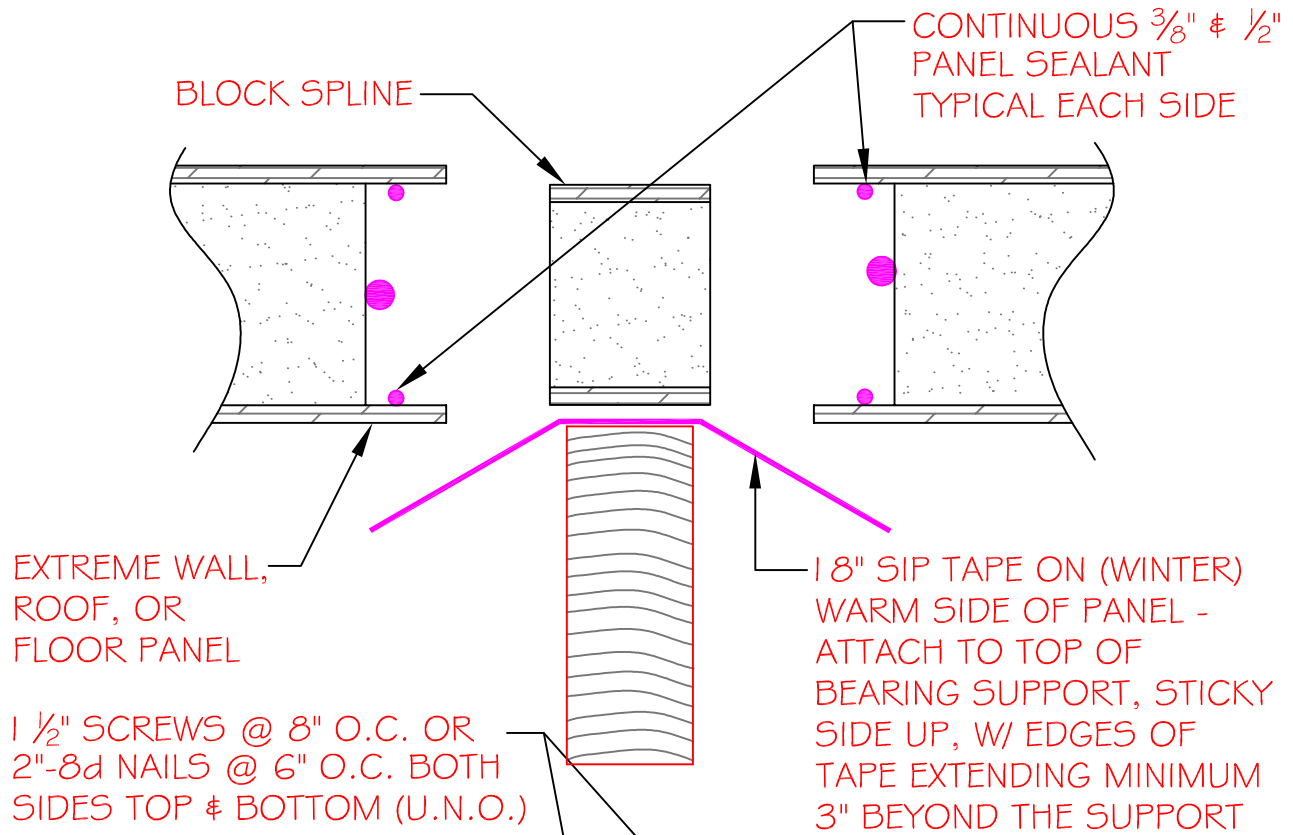


PRE-ASSEMBLED VIEW



SECTION
NOT TO SCALE

DETAIL TITLE : SPLINE FASTENED AT TOP ONLY

DETAIL NO. : EP-108

PAGE NO. : 1 - 8

UPDATED : MARCH 2017

Extreme Panel

TECHNOLOGIES, INC.

STRUCTURAL INSULATED PANELS