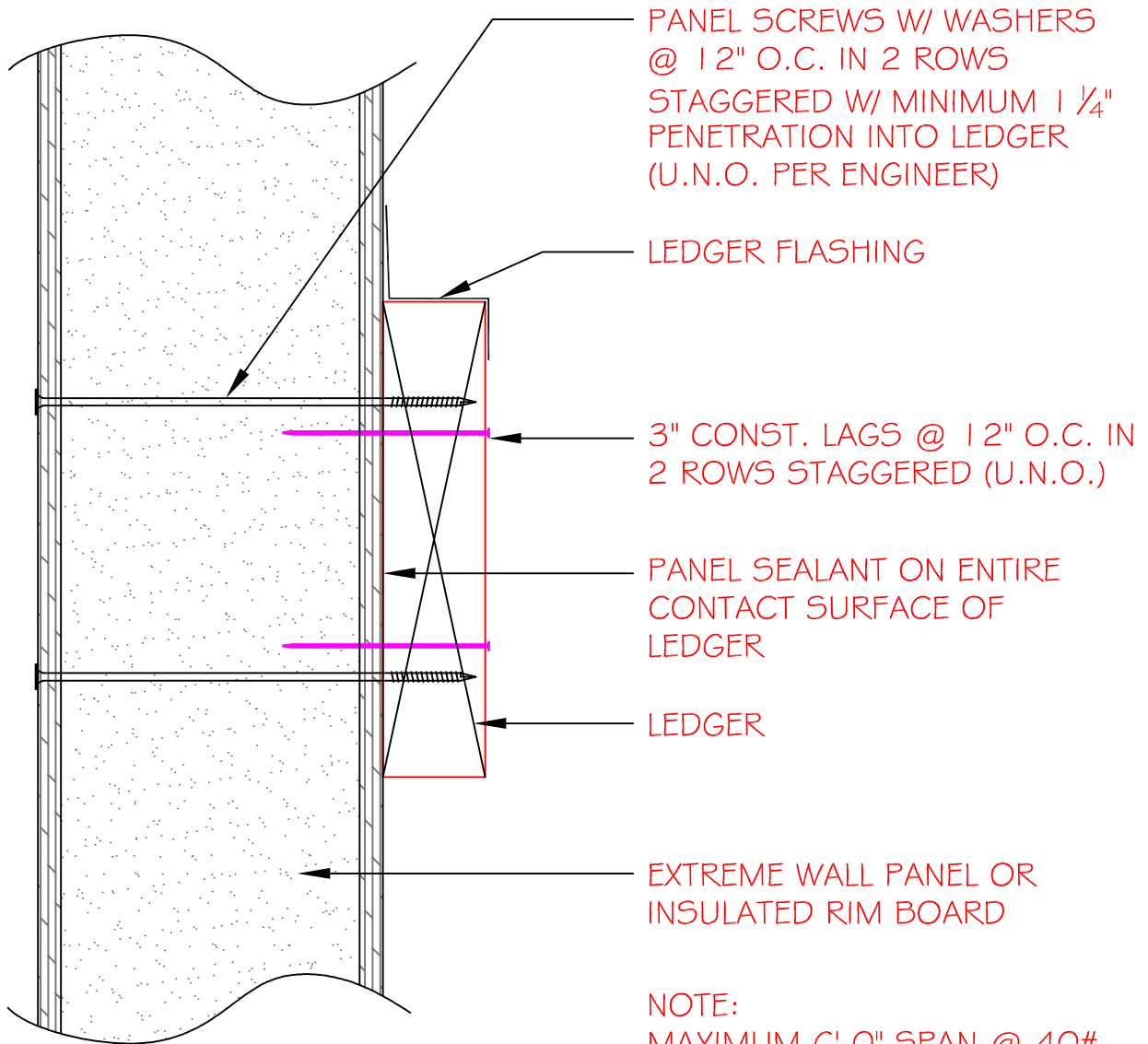


INSTALLATION SEQUENCE:

TO ATTACH LEDGER TO WALL PANELS USE PANEL SEALANT  
SPREAD EVENLY ON ENTIRE CONTACT SURFACE AND 3" CONST.  
LAGS SPACED @ 12" O.C. IN 2 ROWS STAGGERED (U.N.O.) --  
THEN USE PANEL SCREWS W/ WASHERS FROM OTHER SIDE OF  
WALL @ 12" O.C. IN 2 ROWS STAGGERED (U.N.O.)



PANEL SCREWS W/ WASHERS  
@ 12" O.C. IN 2 ROWS  
STAGGERED W/ MINIMUM 1/4"  
PENETRATION INTO LEDGER  
(U.N.O. PER ENGINEER)

LEDGER FLASHING

3" CONST. LAGS @ 12" O.C. IN  
2 ROWS STAGGERED (U.N.O.)

PANEL SEALANT ON ENTIRE  
CONTACT SURFACE OF  
LEDGER

LEDGER

EXTREME WALL PANEL OR  
INSULATED RIM BOARD

NOTE:  
MAXIMUM 6'-0" SPAN @ 40#  
LIVE LOAD.

SECTION  
NOT TO SCALE

DETAIL TITLE : DECK LEDGER ATTACHMENT

DETAIL NO. : EP-120

PAGE NO. : 1 - 20

UPDATED : MARCH 2017

**Extreme Panel**

TECHNOLOGIES, INC.

STRUCTURAL INSULATED PANELS