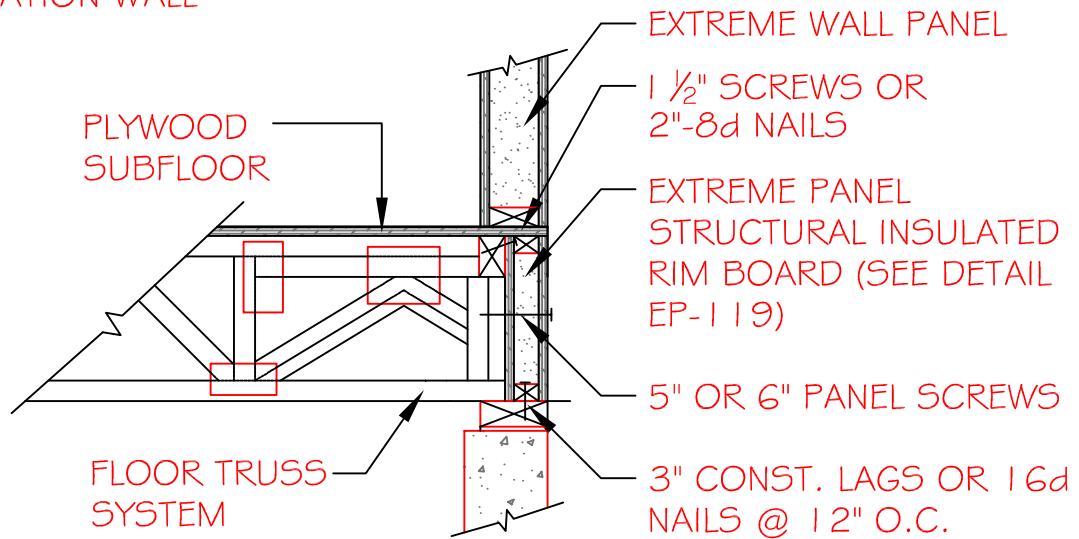
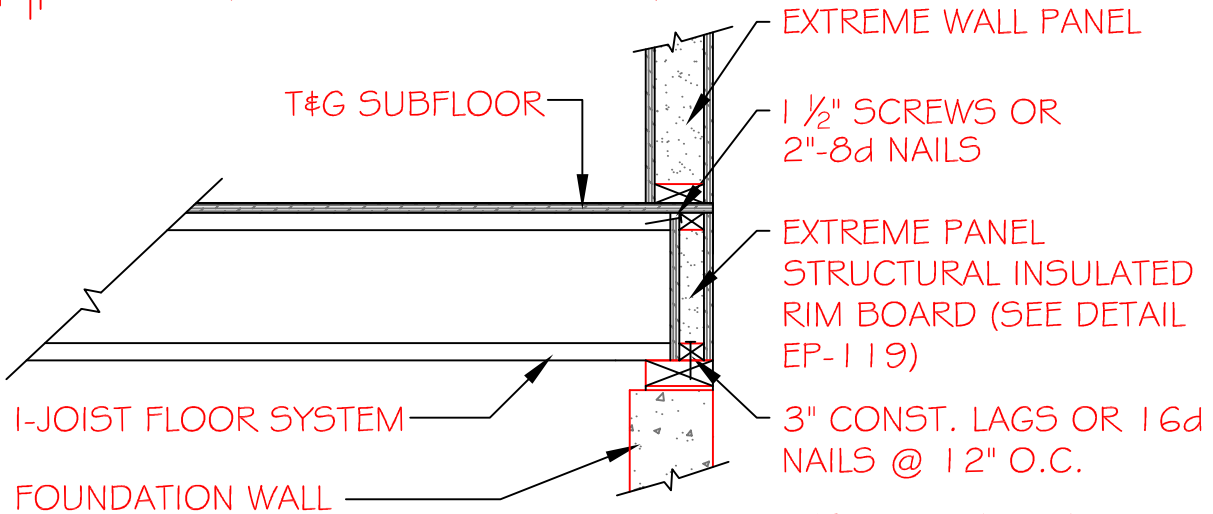
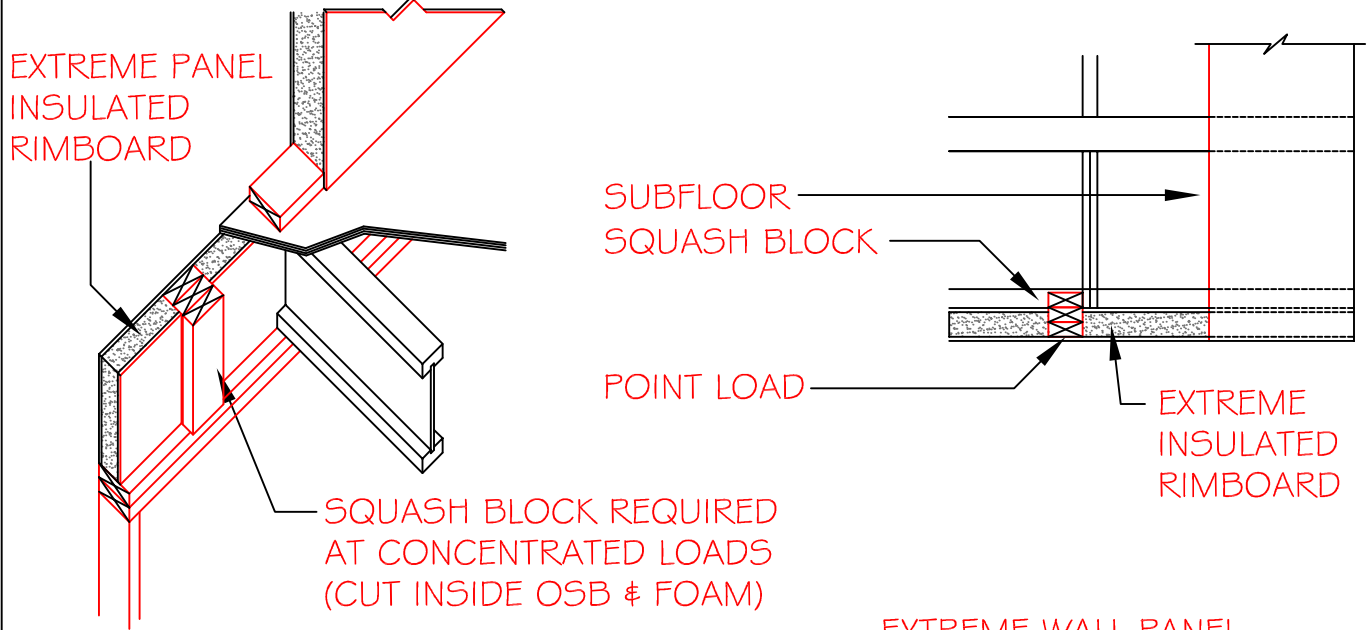


NOTE: STOP RIM BOARD WHERE POINT LOADS GO THROUGH

TOP VIEW



SECTION
NOT TO SCALE

DETAIL TITLE : INSULATED RIM BOARD CONNECTION

DETAIL NO. : EP-205

PAGE NO. : 2 - 5

UPDATED : MARCH 2017

Extreme Panel

TECHNOLOGIES, INC.

STRUCTURAL INSULATED PANELS