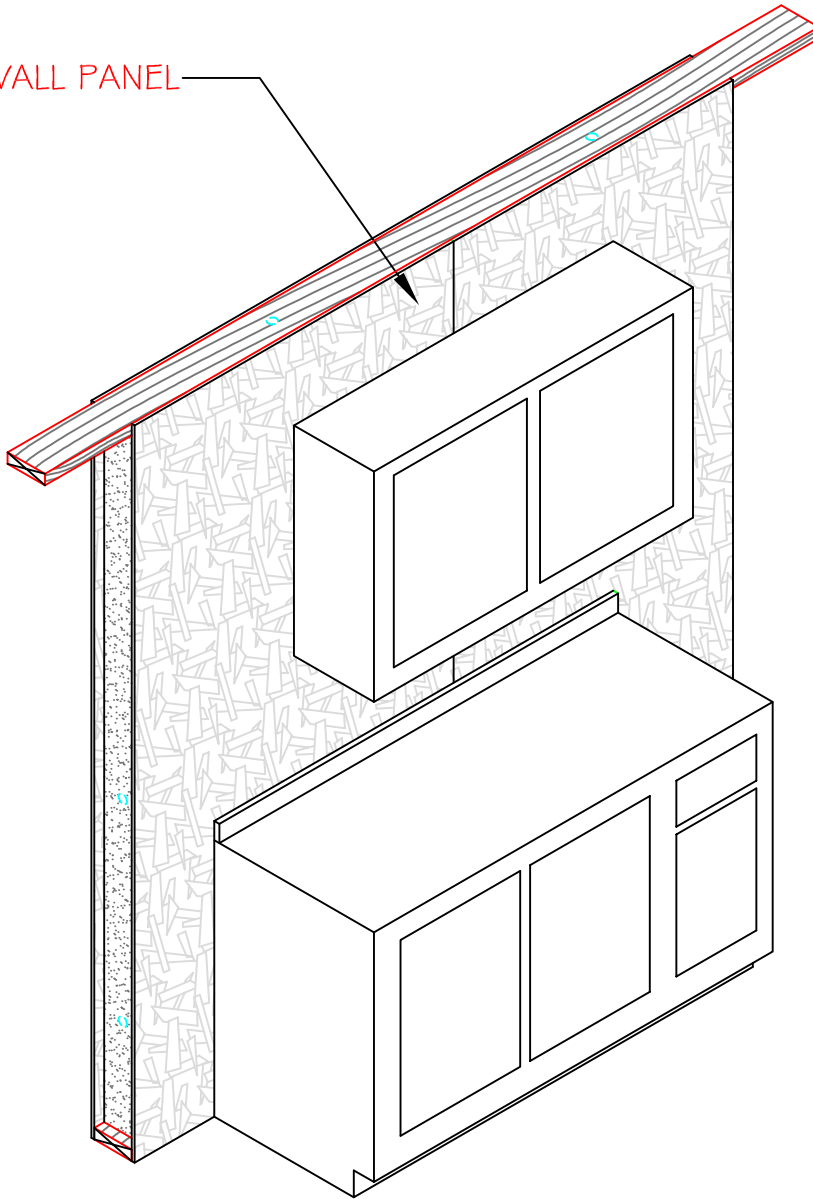


EXTREME WALL PANEL



NOTE:
FASTEN CABINET TO PANELS FOLLOWING CABINET
MANUFACTURER'S RECOMMENDATIONS (FOR
HIGHER CABINET LOADS CONSULT EXTREME
PANELS TECHNOLOGIES BEFORE INSTALLATION)

SECTION
NOT TO SCALE

DETAIL TITLE : TYPICAL CABINET CONNECTION

DETAIL NO. : EP-311

PAGE NO. : 3 - 11

UPDATED : MARCH 2017

Extreme Panel

TECHNOLOGIES, INC.

STRUCTURAL INSULATED PANELS