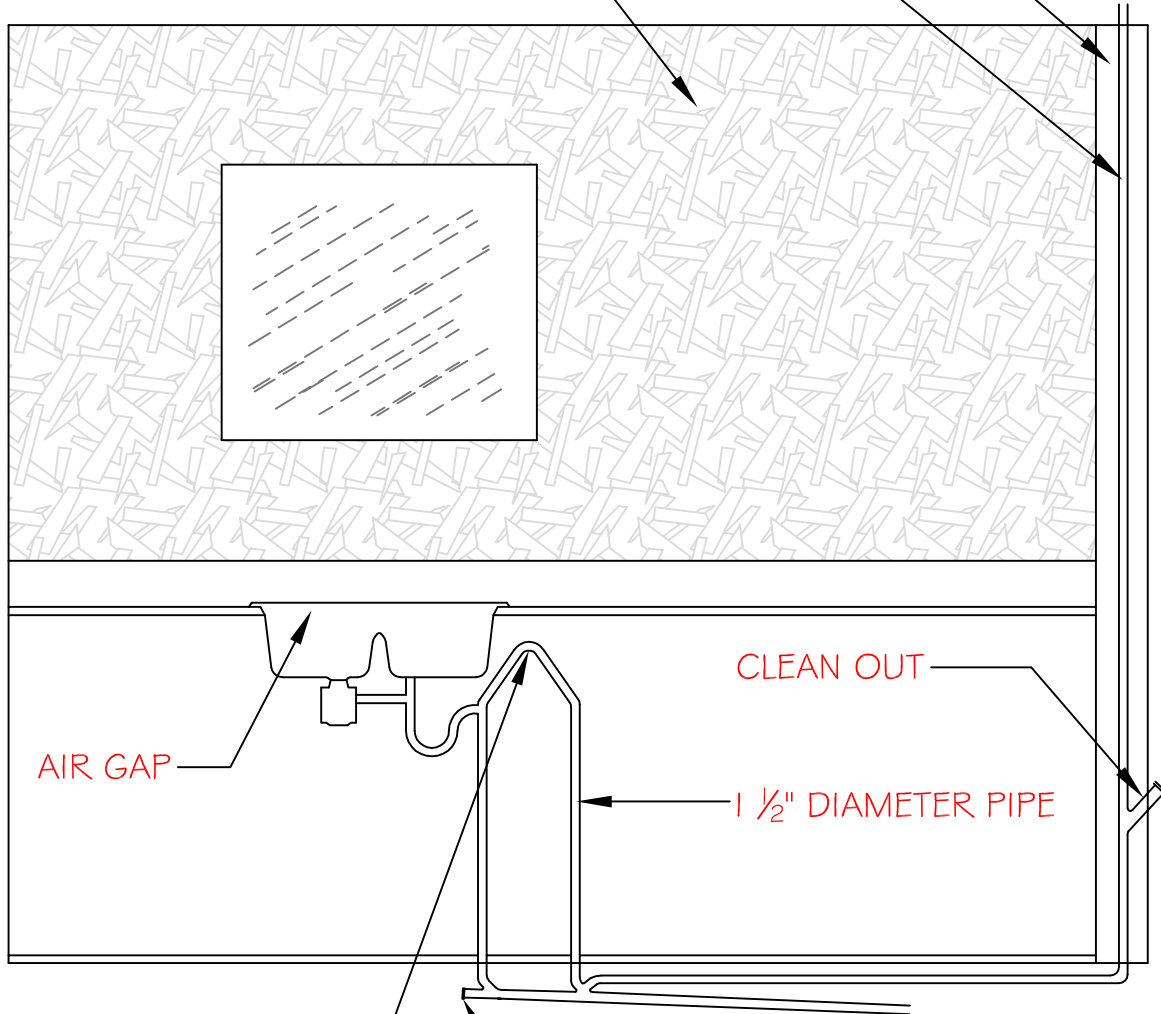


INTERIOR WALL

CONNECT VENT TO OTHER VENTS  
OR VENT THROUGH ROOF

EXTREME WALL PANEL



AIR GAP

CLEAN OUT

1 1/2" DIAMETER PIPE

LOCATE 90 DEGREE  
ELBOW AS HIGH AS  
POSSIBLE INSIDE  
CABINET

NO FIXTURES UPSTREAM  
(ONLY CLEAN OUT)

NOTE: CONSULT LOCAL BUILDING  
CODES FOR ACCEPTANCE

SECTION  
NOT TO SCALE

DETAIL TITLE : ISLAND VENT INSTALLATION

DETAIL NO. : EP-312

PAGE NO. : 3 - 12

UPDATED : MARCH 2017

**Extreme Panel**

TECHNOLOGIES, INC.

STRUCTURAL INSULATED PANELS