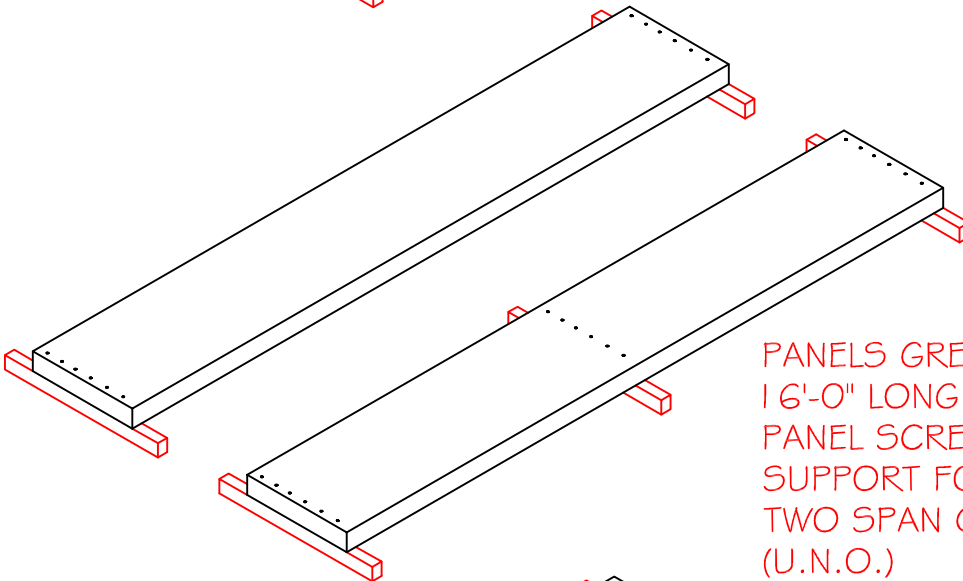
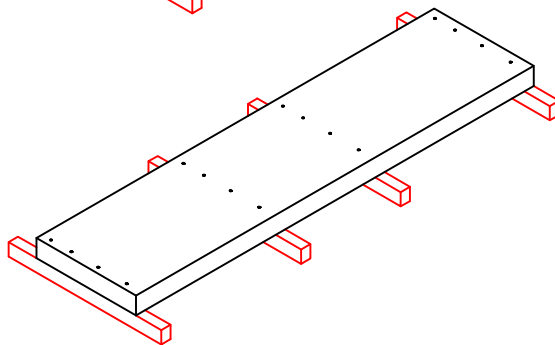


PANELS UP TO 16'-0" LONG
 REQUIRE (4) PANEL
 SCREWS PER SUPPORT
 FOR SINGLE AND TWO
 SPAN CONDITIONS (U.N.O.)



PANELS GREATER THAN
 16'-0" LONG REQUIRE (6)
 PANEL SCREWS PER
 SUPPORT FOR SINGLE AND
 TWO SPAN CONDITIONS
 (U.N.O.)



PANELS ANY LENGTH W/
 MULTIPLE SPAN CONDITIONS
 REQUIRE (4) PANEL SCREWS
 PER SUPPORT (U.N.O.)

NOTE: ILLUSTRATED PANELS ARE
 4'-0" WIDE (FOR 8'-0" WIDE PANELS
 DOUBLE QUANTITIES OF FASTENERS)

SECTION
 NOT TO SCALE

DETAIL TITLE : ROOF / FLOOR FASTENING PATTERNS

DETAIL NO. : EP-426

PAGE NO. : 4 - 26

UPDATED : MARCH 2017

Extreme Panel

TECHNOLOGIES, INC.

STRUCTURAL INSULATED PANELS