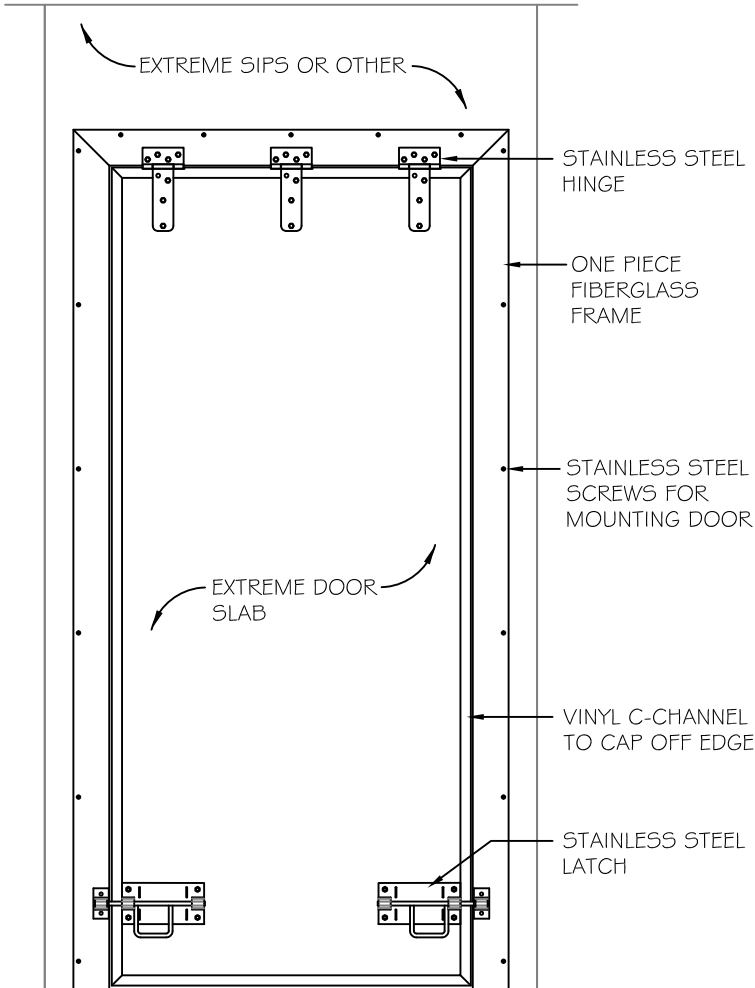




# EXTREME PANEL TECHNOLOGIES

## EXTREME DOOR TOP HINGED

### FRONT VIEW



"NEW" HEAVY DUTY DOOR SWEEPS ARE STANDARD AND TO BE CUT & APPLIED AFTER THE DOOR IS INSTALLED USING SS SCREWS FROM TRIM KIT.

### STANDARD ROUGH OPENINGS FOR EXTREME DOORS

DOOR SIZE	SLAB SIZE	ROUGH OPENING
4'-0"	47"	51 3/4"
	x 79 3/4"	x 82 1/2"
3'-0"	35"	39 3/4"
	x 79 3/4"	x 82 1/2"
2'-8"	31"	35 3/4"
	x 79 3/4"	x 82 1/2"
2'-6"	29"	33 3/4"
	x 79 3/4"	x 82 1/2"
2'-0"	23"	27 3/4"
	x 79 3/4"	x 82 1/2"

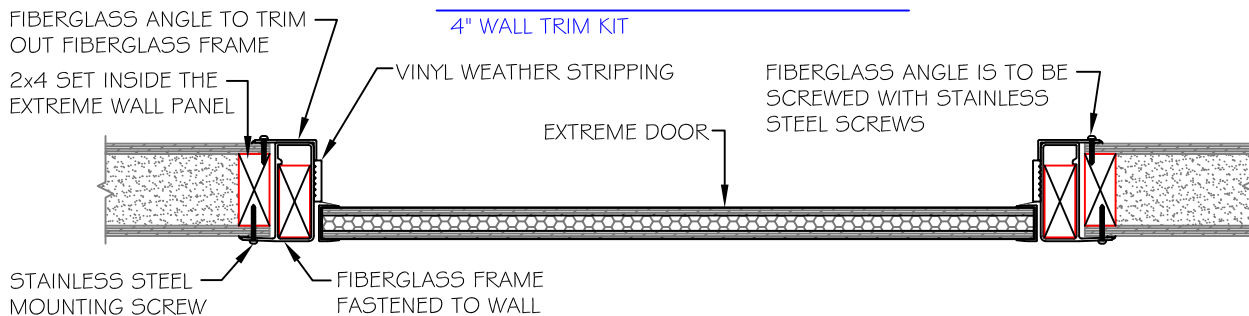
### NOTES:

CUSTOM SIZES CAN BE MADE AT AN ADDITIONAL CHARGE PER DOOR.

FOR WIDTHS OTHER THAN THOSE LISTED, ADD 4 3/4" TO DESIRED SLAB SIZE TO GET THE ROUGH OPENING.

### CROSS SECTION VIEW

#### 4" WALL TRIM KIT



ALL METAL ITEMS USED IN MANUFACTURING DOORS ARE EITHER STAINLESS STEEL OR ALUMINUM FOR EXTREME RESISTENCE TO RUST AND CORROSION FOR YEARS OF LASTING DURABILITY.

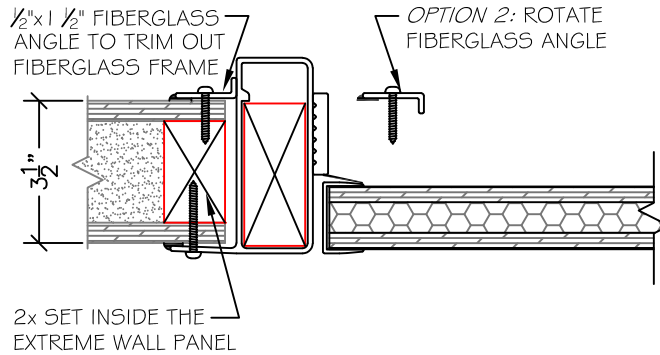


# EXTREME PANEL TECHNOLOGIES

## TRIM KIT OPTIONS TOP HINGED

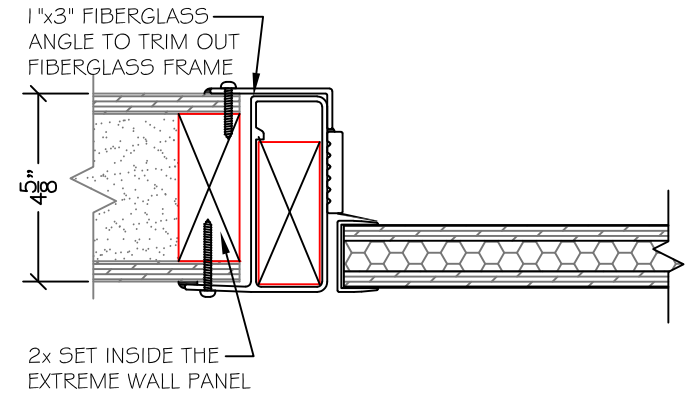
### CROSS SECTION VIEW

TRIM KIT - 3 1/2" WALL



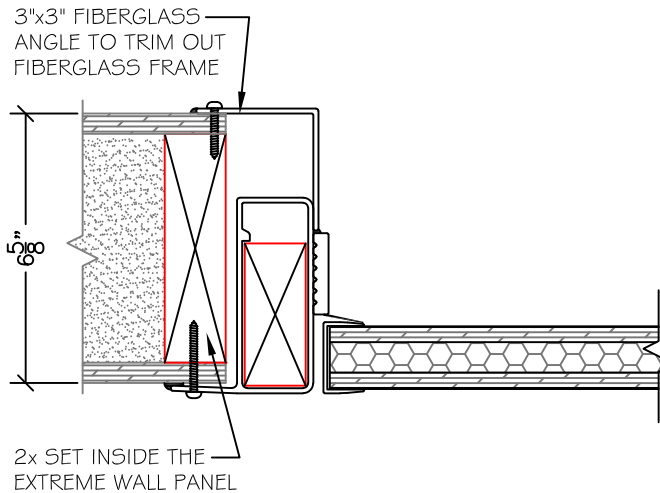
### CROSS SECTION VIEW

TRIM KIT - 4" WALL



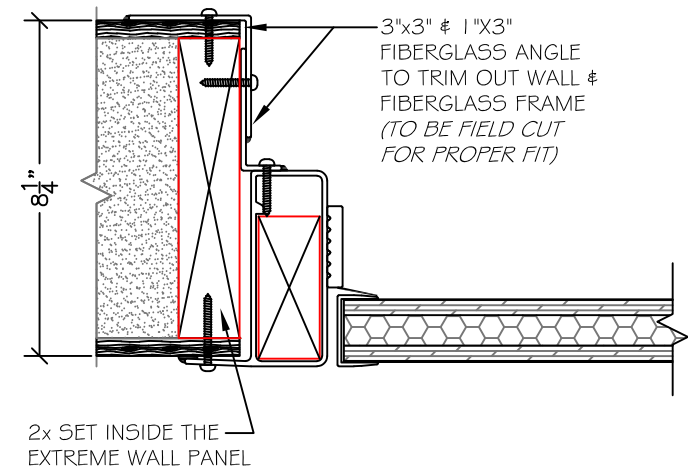
### CROSS SECTION VIEW

TRIM KIT - 6" WALL



### CROSS SECTION VIEW

TRIM KIT - 8" WALL



### HEAVY DUTY DOOR SWEEP

