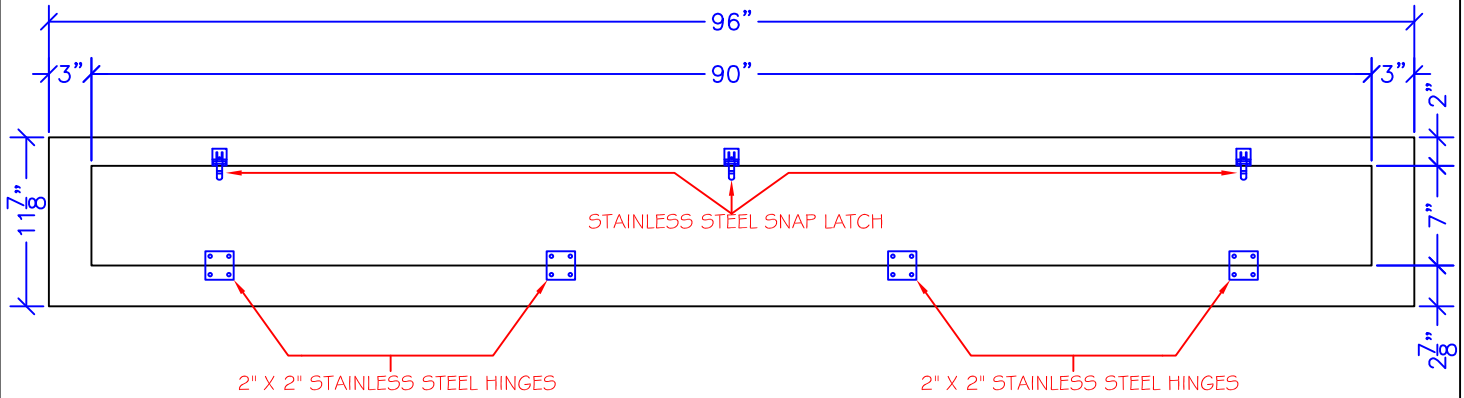
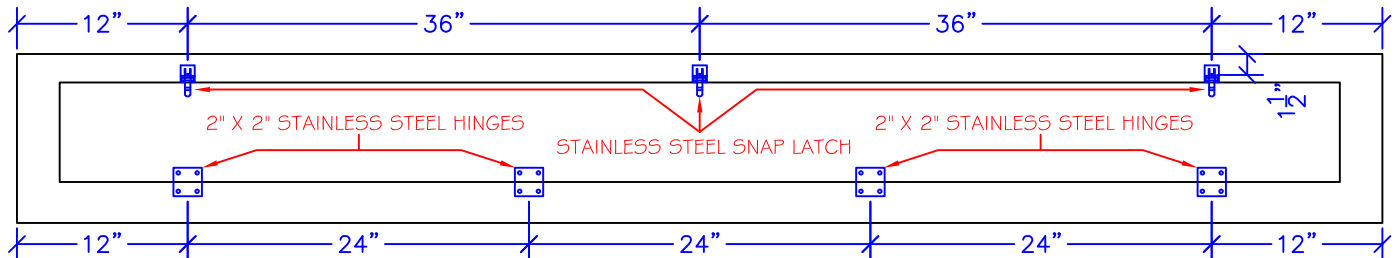


1 2" EAVE DOOR OPENING DIMENSIONS



1 2" EAVE DOOR HARDWARE LOCATIONS

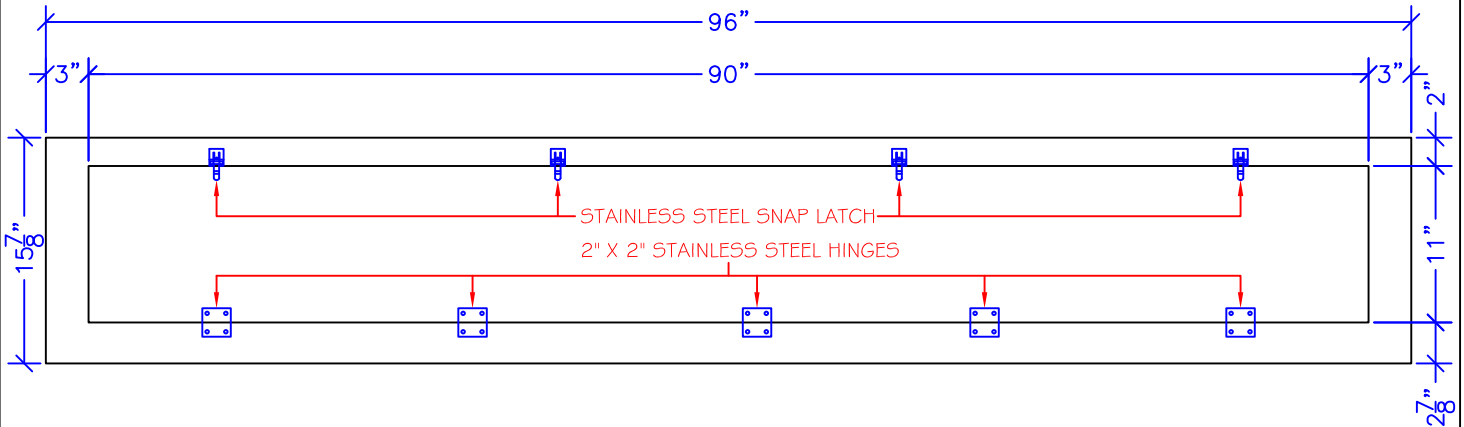


NOTE:

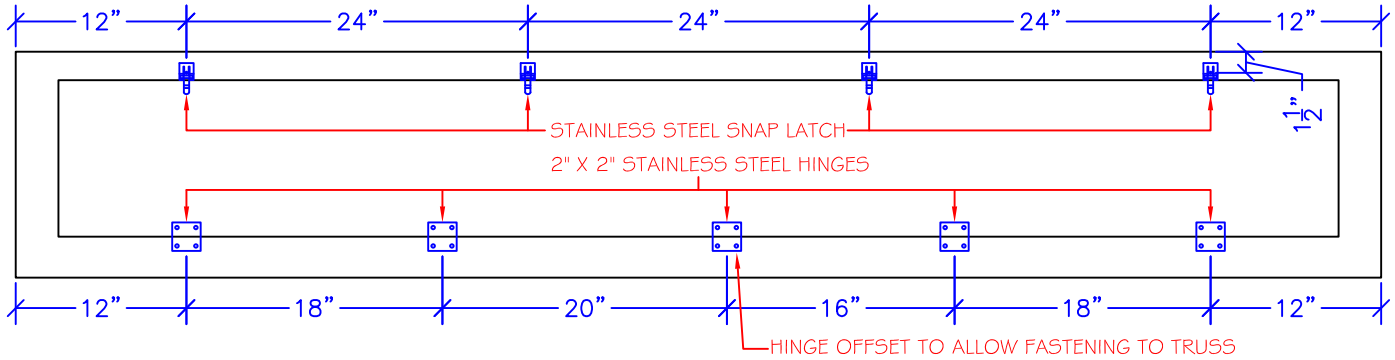
- 1) DOOR IS 3/4" THICK WITH WHITE UV INHIBITED FRP ON BOTH SIDES
- 2) PLASTIC BIRD NETTING IS STAPLED TO THE TOP SIDE
- 3) 4.37 SQFT. OF AIR PER EAVE DOOR

LAMINATED EAVE DOOR

1 6" EAVE DOOR OPENING DIMENSIONS



1 6" EAVE DOOR HARDWARE LOCATIONS

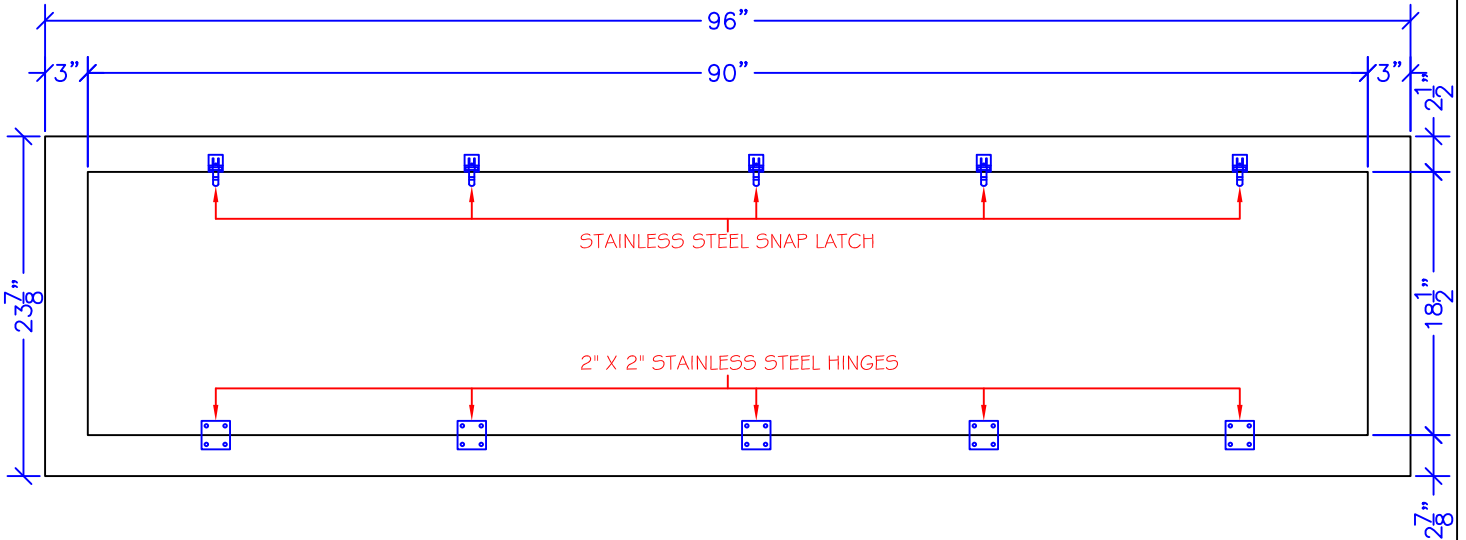


NOTE:

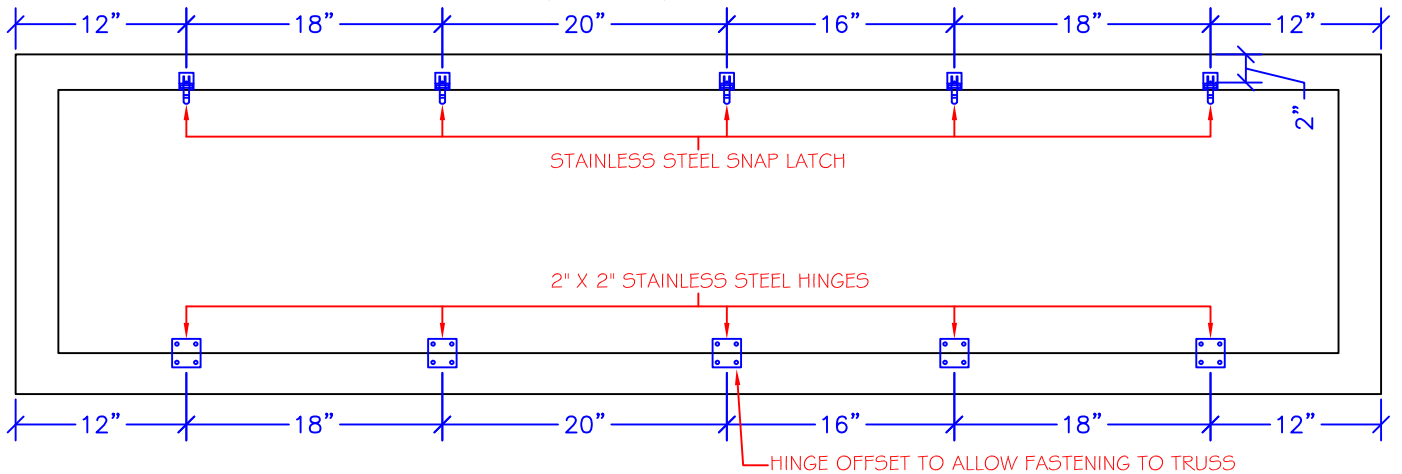
- 1) DOOR IS $\frac{3}{4}$ " THICK WITH WHITE UV INHIBITED FRP ON BOTH SIDES
- 2) PLASTIC BIRD NETTING IS STAPLED TO THE TOP SIDE
- 3) 6.87 SQFT. OF AIR PER EAVE DOOR

LAMINATED EAVE DOOR

24" EAVE DOOR OPENING DIMENSIONS



24" EAVE DOOR HARDWARE LOCATIONS



NOTE:

- 1) DOOR IS 3/4" THICK WITH WHITE UV INHIBITED FRP ON BOTH SIDES
- 2) PLASTIC BIRD NETTING IS STAPLED TO THE TOP SIDE
- 3) 11.56 SQFT. OF AIR PER EAVE DOOR