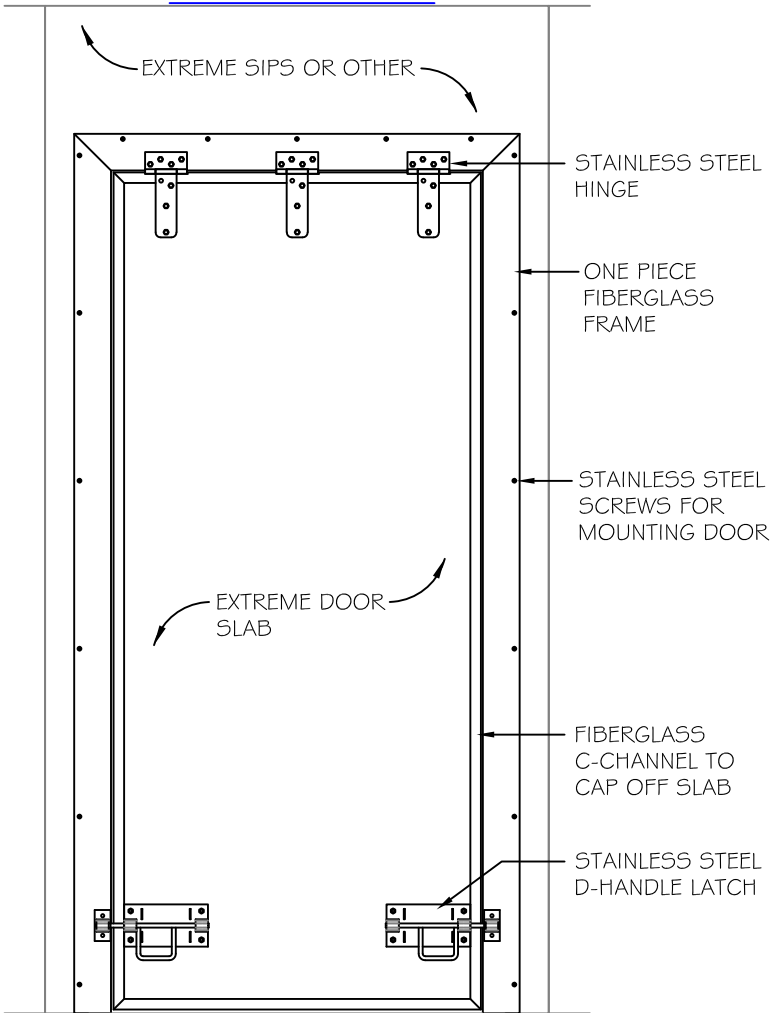




EXTREME PANEL TECHNOLOGIES

EXTREME DOOR FLIP-UP FOR LOAD OUTS

FRONT VIEW



STANDARD ROUGH OPENINGS FOR EXTREME DOORS

DOOR SIZE	SLAB SIZE	ROUGH OPENING
4'-0"	47" x 79 3/4"	51 3/4" x 82 1/2"
3'-0"	35" x 79 3/4"	39 3/4" x 82 1/2"
2'-8"	31" x 79 3/4"	35 3/4" x 82 1/2"
2'-6"	29" x 79 3/4"	33 3/4" x 82 1/2"
2'-0"	23" x 79 3/4"	27 3/4" x 82 1/2"

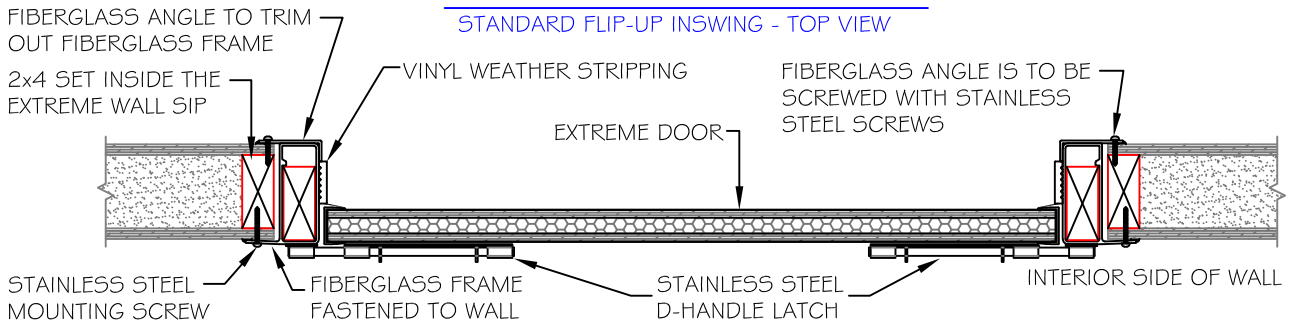
NOTES:

CUSTOM SIZES CAN BE MADE AT AN ADDITIONAL CHARGE PER DOOR.

FOR WIDTHS OTHER THAN THOSE LISTED, ADD 4 3/4" TO DESIRED SLAB SIZE TO GET THE ROUGH OPENING.

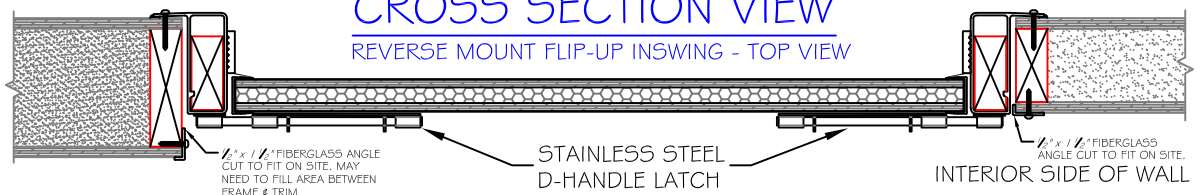
CROSS SECTION VIEW

STANDARD FLIP-UP INSWING - TOP VIEW



CROSS SECTION VIEW

REVERSE MOUNT FLIP-UP INSWING - TOP VIEW



ALL METAL ITEMS USED IN MANUFACTURING DOORS ARE EITHER STAINLESS STEEL OR ALUMINUM FOR EXTREME RESISTANCE TO RUST AND CORROSION FOR YEARS OF LASTING DURABILITY.

475 East 4th St. North \ P.O. Box 435 \ Cottonwood, MN 56229
800-977-2635 \ Fax: 507-423-5531 \ info@extremepanel.com

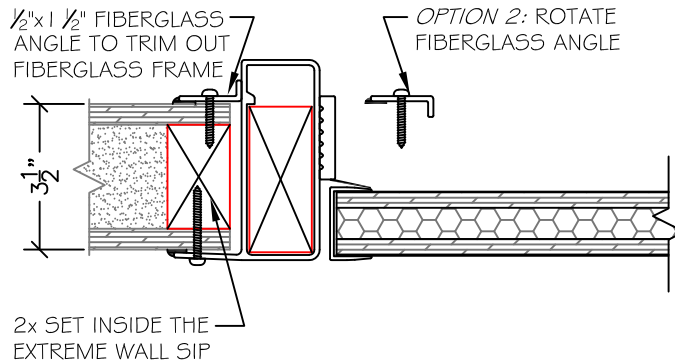


EXTREME PANEL TECHNOLOGIES

TRIM KIT OPTIONS FOR FLIP-UP DOOR

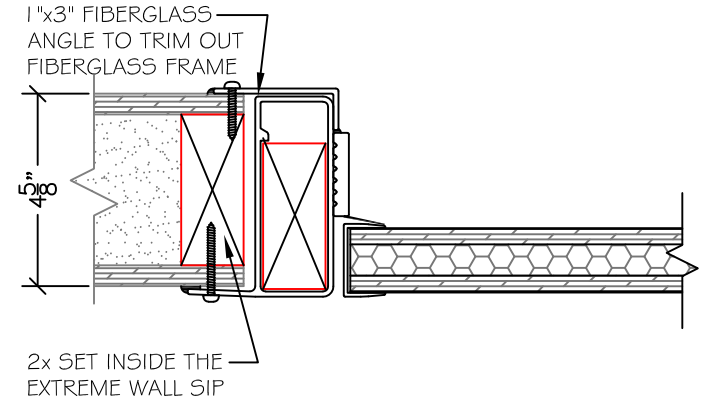
CROSS SECTION VIEW

TRIM KIT - 3 1/2" WALL



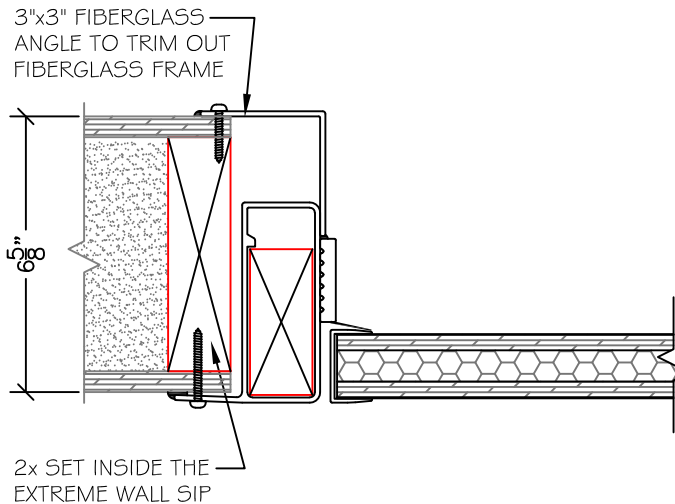
CROSS SECTION VIEW

TRIM KIT - 4" WALL



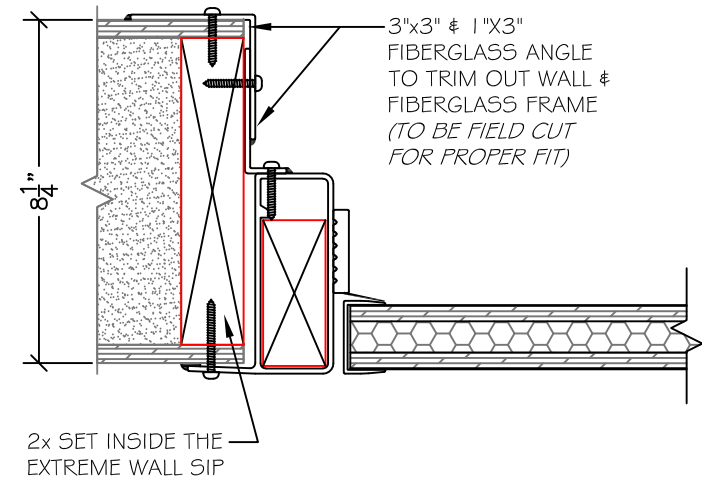
CROSS SECTION VIEW

TRIM KIT - 6" WALL

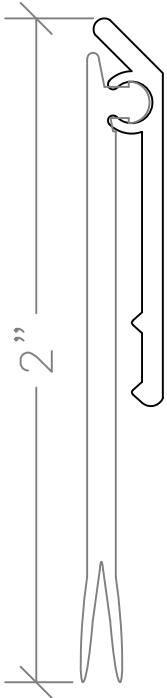


CROSS SECTION VIEW

TRIM KIT - 8" WALL



HEAVY DUTY DOOR SWEEP



EXTREME DOOR
ORDER FORM



EXTREME PANEL
TECHNOLOGIES

475 East 4th Street North
Cottonwood MN 56229
800-977-2635
Fax: 507-423-5531
www.extremepanel.com

CUSTOMER NAME:		TYPE OF FREIGHT
PO #:		
DATE WANTED:		
PROJECT LABEL:		

RH OUTSWING *

QUANTITY	SIZE	WALL	SPECIAL INSTRUCTIONS	DIAGRAM

LH OUTSWING *

QUANTITY	SIZE	WALL	SPECIAL INSTRUCTIONS	DIAGRAM

RH INSWING *

QUANTITY	SIZE	WALL	SPECIAL INSTRUCTIONS	DIAGRAM

LH INSWING *

QUANTITY	SIZE	WALL	SPECIAL INSTRUCTIONS	DIAGRAM

FLIP-UP INSWING *

QUANTITY	SIZE	WALL	SPECIAL INSTRUCTIONS	DIAGRAM

FLIP-UP INSWING REVERSE MOUNT - *Trim kit to be cut on site to fit. Send 2.5 pcs. of 1/2" x 1 1/2" angle.*

QUANTITY	SIZE	TRIM	Mounted in Frame on Non-Flange Side	DIAGRAM
		Special		

TOTAL # OF DOORS: * Please specify 4", 6", or 8" wall for Trim Kits

*Options: Window, Keyed Dead Bolt, Comm Dr Knob,
Panic Bar, or HD Alum Threshold (see Detail Page)*

All Doors use .037 UV Inhibited White Textured FRP for both sides of Slab.