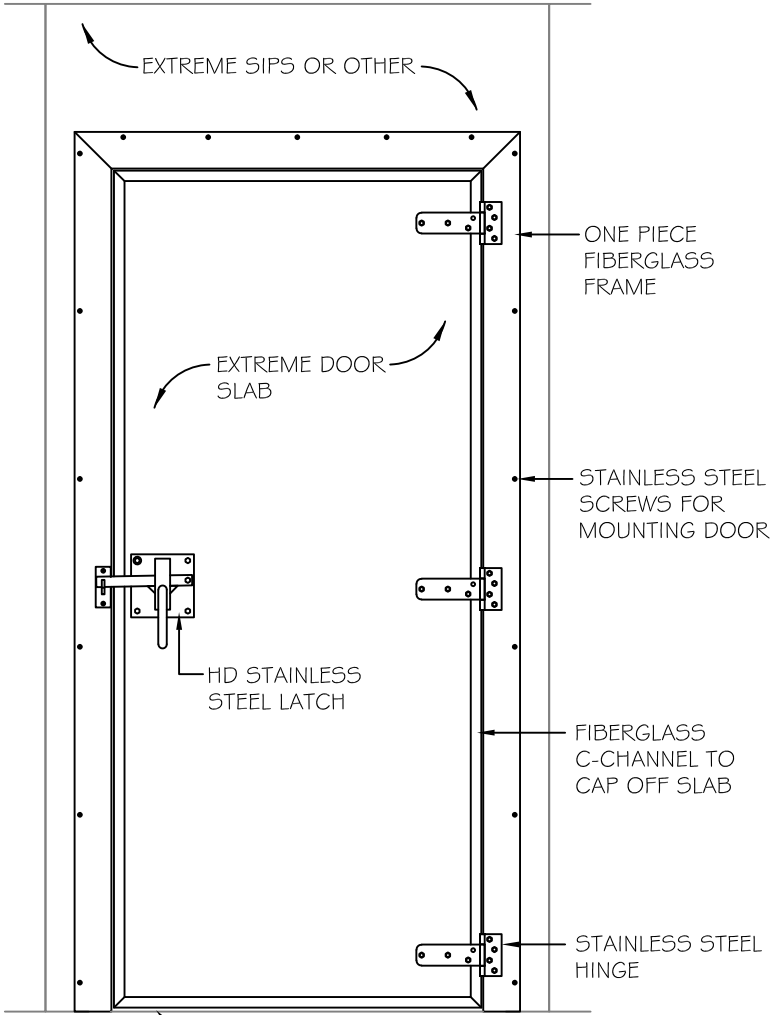




# EXTREME PANEL TECHNOLOGIES

# EXTREME DOOR DETAILS

## FRONT VIEW



HEAVY DUTY DOOR SWEEPS ARE STANDARD AND TO BE CUT & APPLIED AFTER THE DOOR IS INSTALLED USING SS SCREWS FROM TRIM KIT.

## STANDARD ROUGH OPENINGS FOR EXTREME DOORS

DOOR SIZE	SLAB SIZE	ROUGH OPENING
4'-0"	47" x 79 3/4"	51 3/4" x 82 1/2"
3'-0"	35" x 79 3/4"	39 3/4" x 82 1/2"
2'-8"	31" x 79 3/4"	35 3/4" x 82 1/2"
2'-6"	29" x 79 3/4"	33 3/4" x 82 1/2"
2'-0"	23" x 79 3/4"	27 3/4" x 82 1/2"

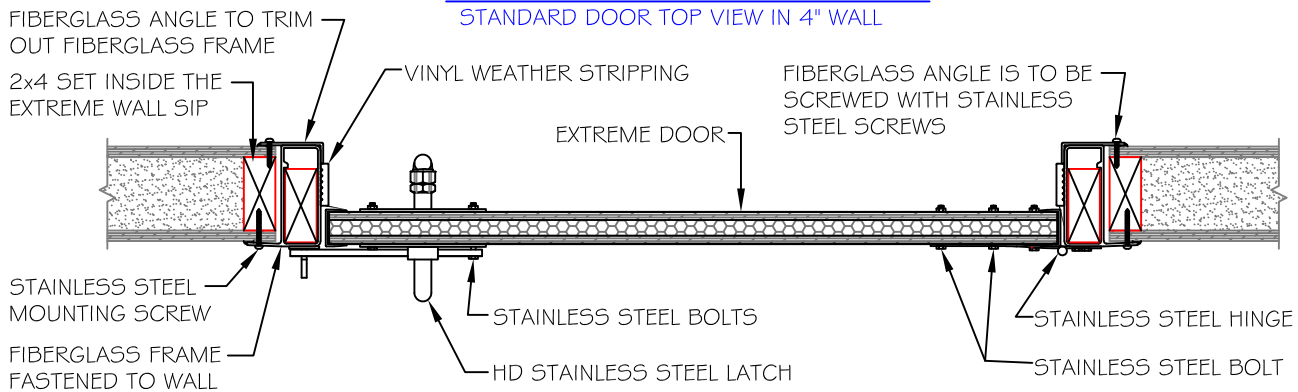
### NOTES:

CUSTOM SIZES CAN BE MADE AT AN ADDITIONAL CHARGE PER DOOR.

FOR WIDTHS OTHER THAN THOSE LISTED, ADD 4 3/4" TO DESIRED SLAB SIZE TO GET THE ROUGH OPENING.

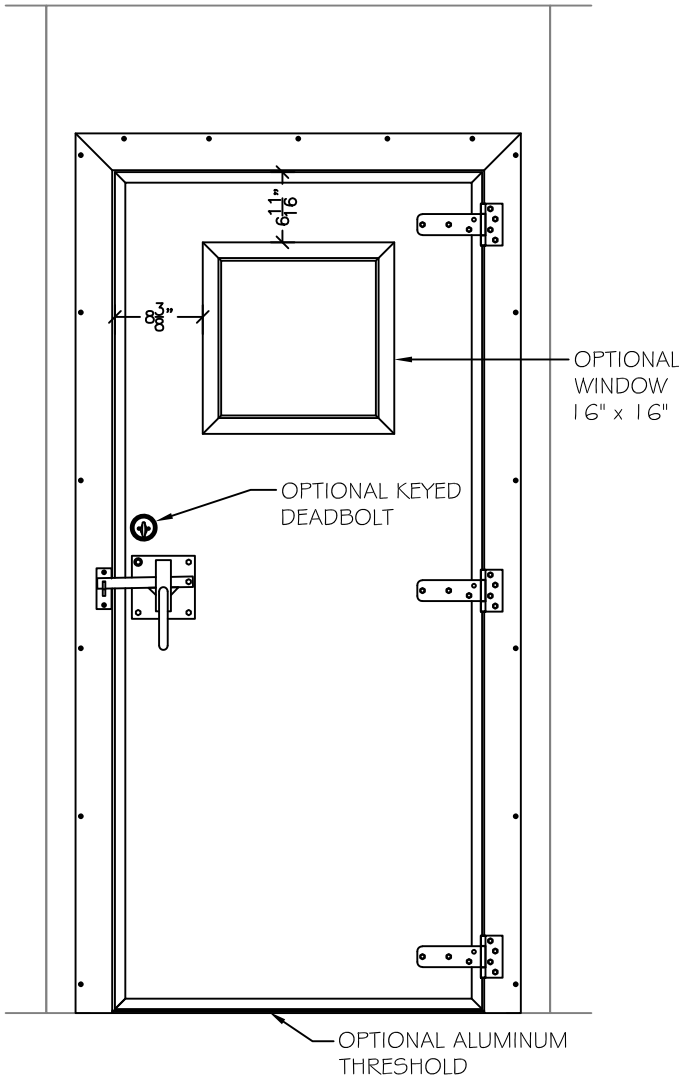
## CROSS SECTION VIEW

STANDARD DOOR TOP VIEW IN 4" WALL



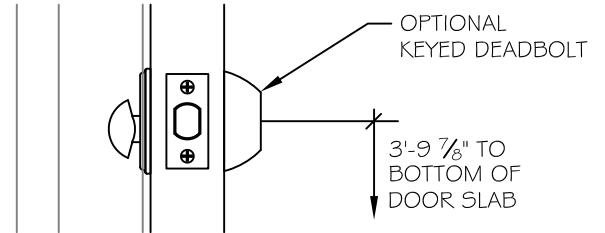
ALL METAL ITEMS USED IN MANUFACTURING DOORS ARE EITHER STAINLESS STEEL OR ALUMINUM FOR EXTREME RESISTANCE TO RUST AND CORROSION FOR YEARS OF LASTING DURABILITY.

# EXTREME DOOR OPTIONS



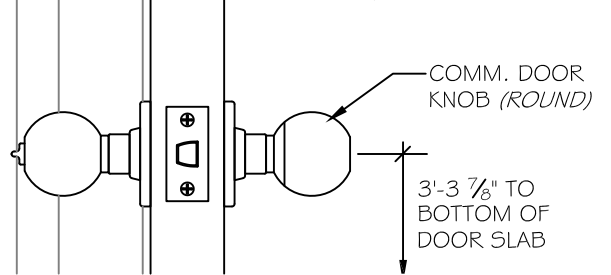
## CROSS SECTION VIEW

KEYED DEADBOLT



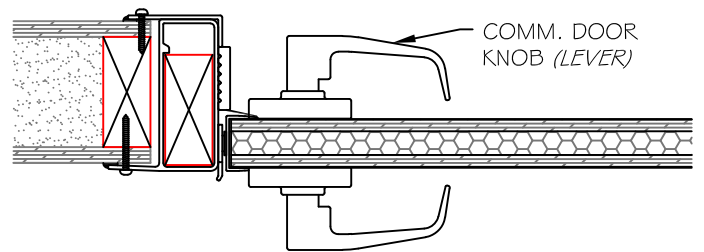
## CROSS SECTION VIEW

COMMERCIAL DOOR KNOB (Round)



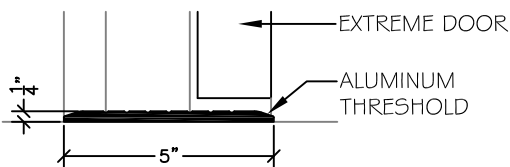
## CROSS SECTION VIEW

COMMERCIAL DOOR KNOB (Lever)



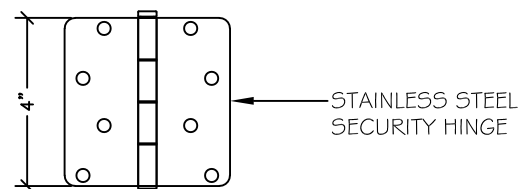
## CROSS SECTION VIEW

ALUMINUM THRESHOLD



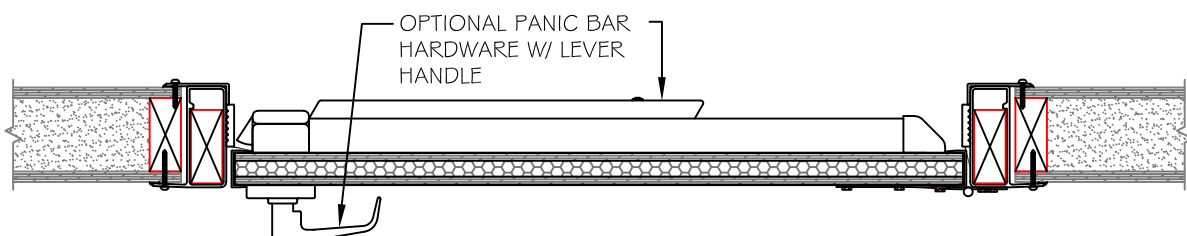
## CROSS SECTION VIEW

STAINLESS STEEL SECURITY HINGE



## CROSS SECTION VIEW

PANIC BAR HARDWARE



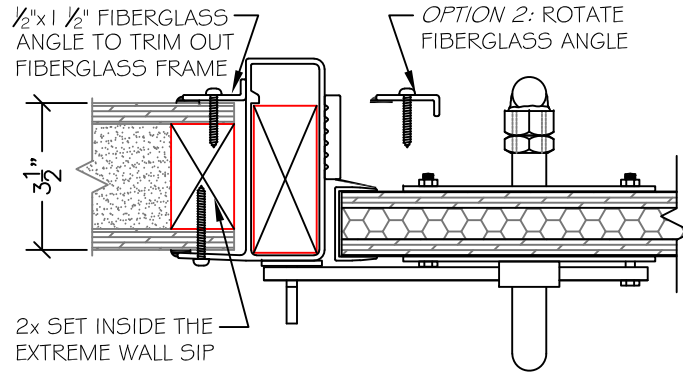


# EXTREME PANEL TECHNOLOGIES

## EXTREME DOOR TRIM KIT OPTIONS

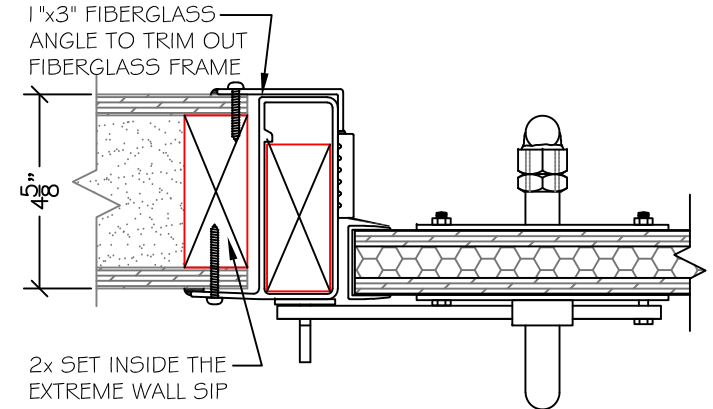
### CROSS SECTION VIEW

TRIM KIT - 3 1/2" WALL



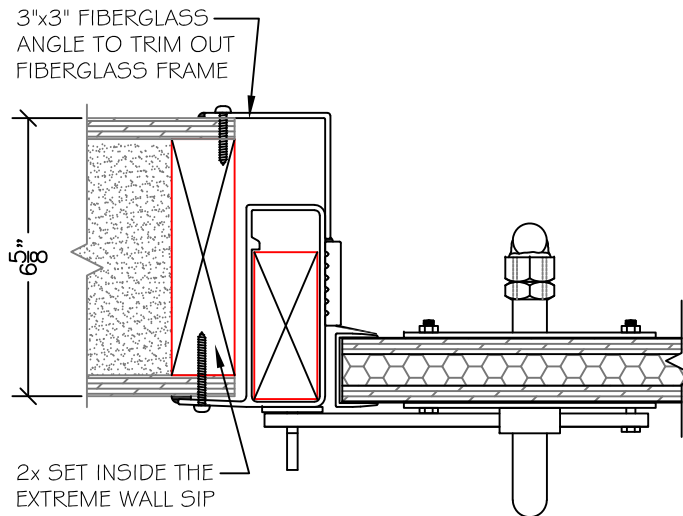
### CROSS SECTION VIEW

TRIM KIT - 4" WALL



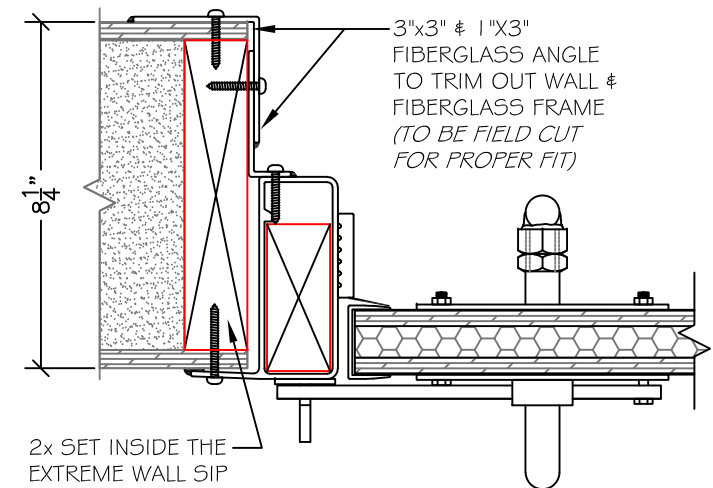
### CROSS SECTION VIEW

TRIM KIT - 6" WALL



### CROSS SECTION VIEW

TRIM KIT - 8" WALL



HEAVY DUTY DOOR SWEEP

