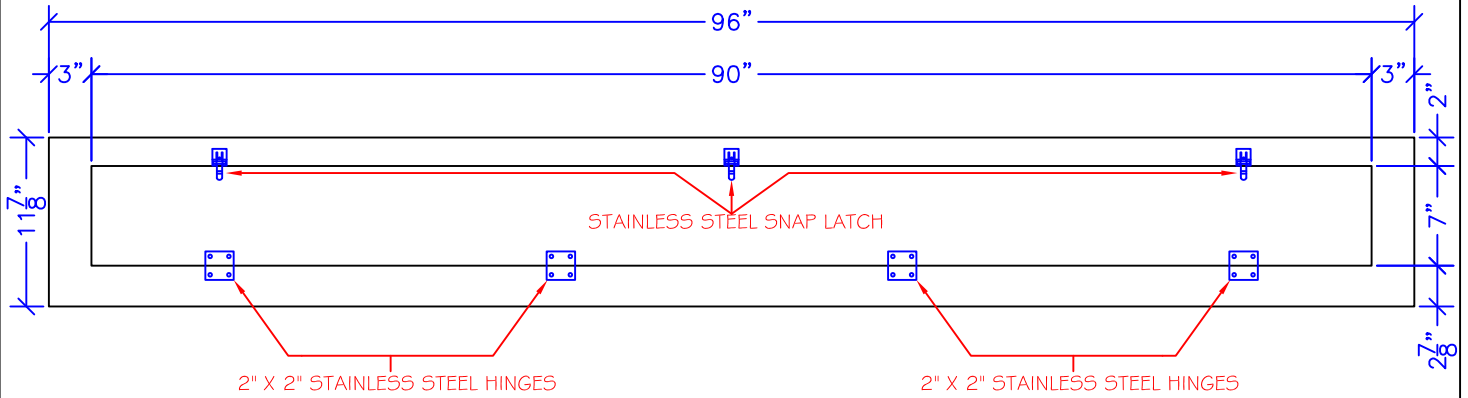
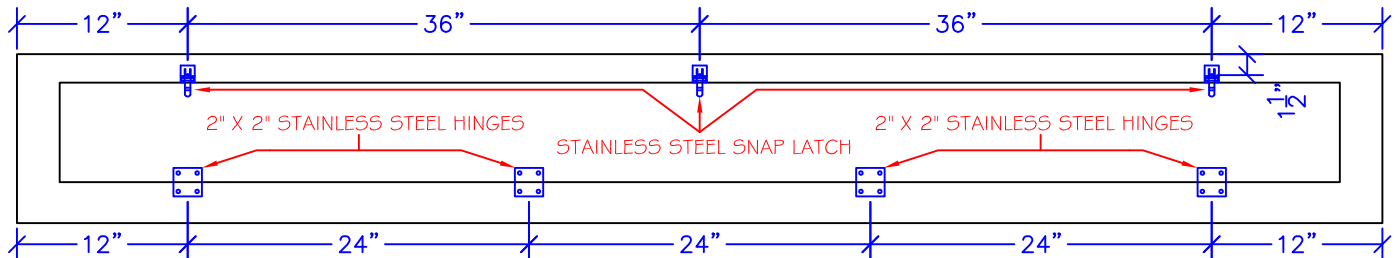


## 1 2" EAVE DOOR OPENING DIMENSIONS



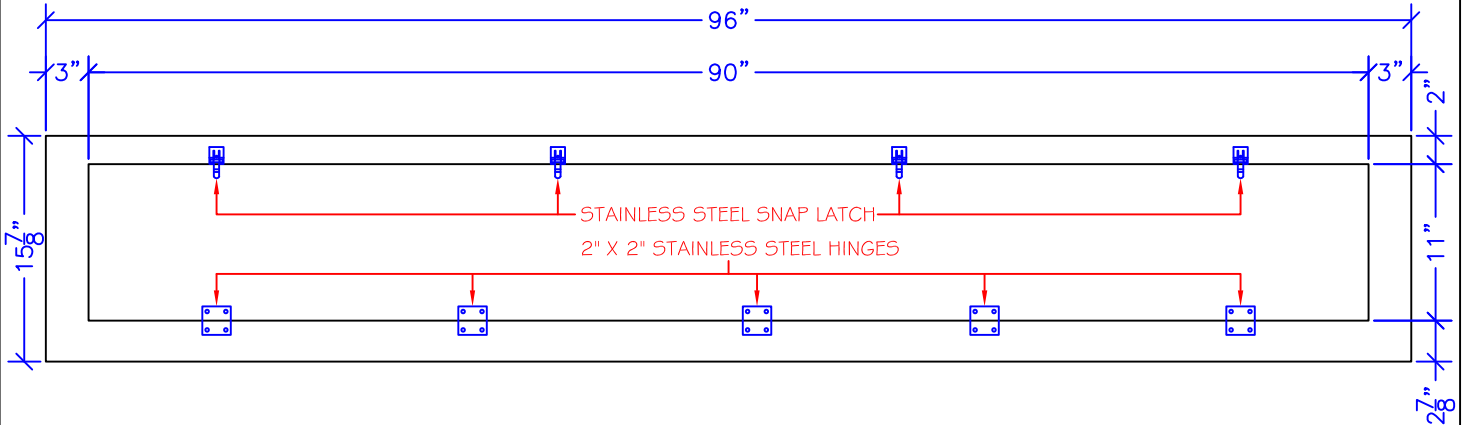
## 1 2" EAVE DOOR HARDWARE LOCATIONS



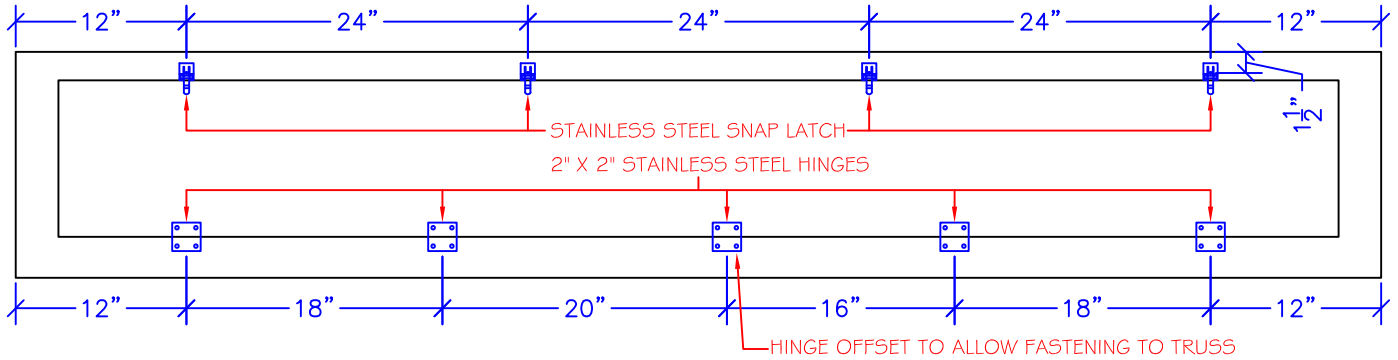
### NOTE:

- 1) DOOR IS  $\frac{3}{4}$ " THICK WITH WHITE UV INHIBITED FRP ON BOTH SIDES
- 2) PLASTIC BIRD NETTING IS STAPLED TO THE TOP SIDE
- 3) 4.37 SQFT. OF AIR PER EAVE DOOR

## 16" EAVE DOOR OPENING DIMENSIONS



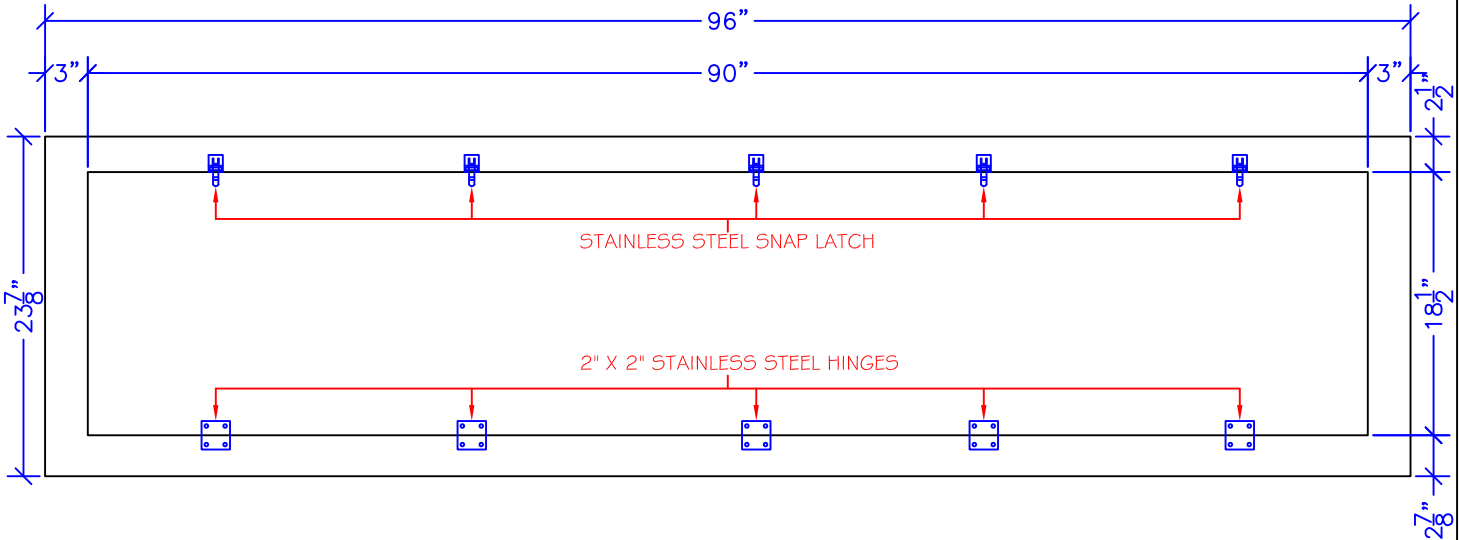
## 16" EAVE DOOR HARDWARE LOCATIONS



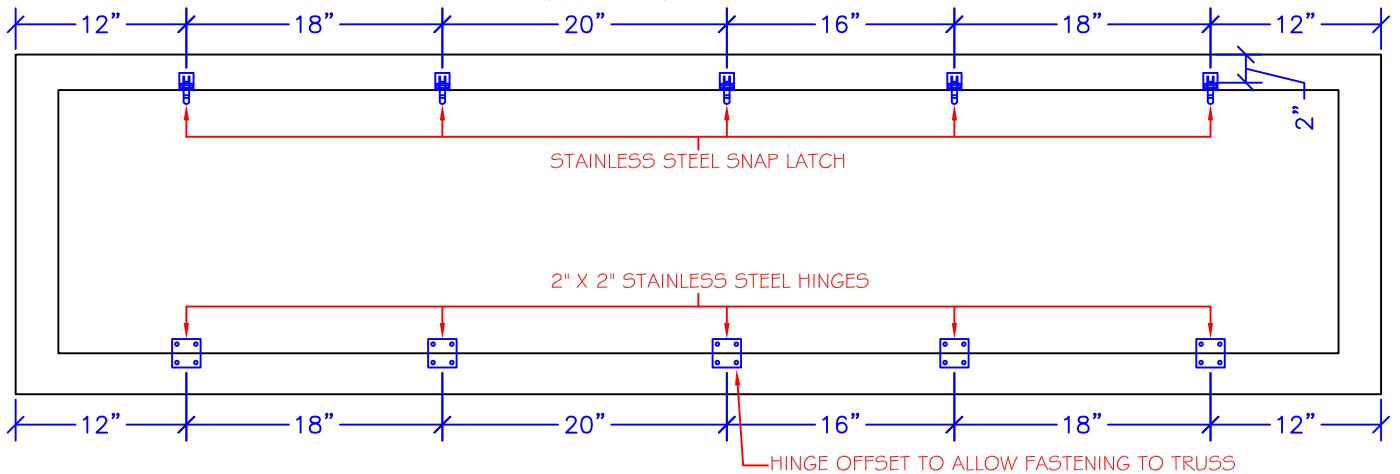
**NOTE:**

- 1) DOOR IS  $\frac{3}{4}$ " THICK WITH WHITE UV INHIBITED FRP ON BOTH SIDES
- 2) PLASTIC BIRD NETTING IS STAPLED TO THE TOP SIDE
- 3) 6.87 SQFT. OF AIR PER EAVE DOOR

## 24" EAVE DOOR OPENING DIMENSIONS



## 24" EAVE DOOR HARDWARE LOCATIONS



### NOTE:

- 1) DOOR IS  $\frac{3}{4}$ " THICK WITH WHITE UV INHIBITED FRP ON BOTH SIDES
- 2) PLASTIC BIRD NETTING IS STAPLED TO THE TOP SIDE
- 3) 11.56 SQFT. OF AIR PER EAVE DOOR