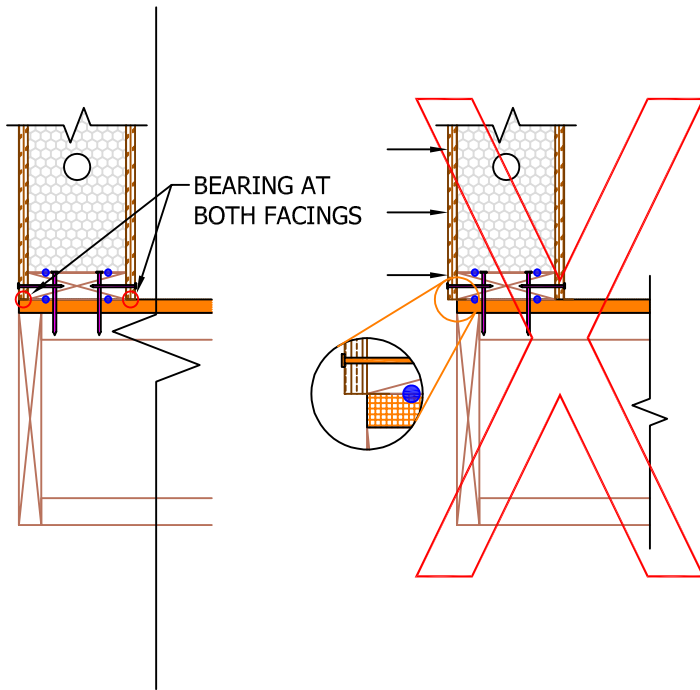
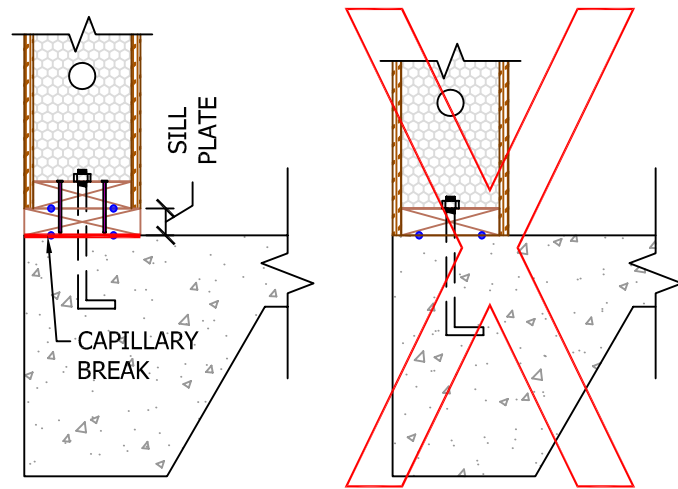


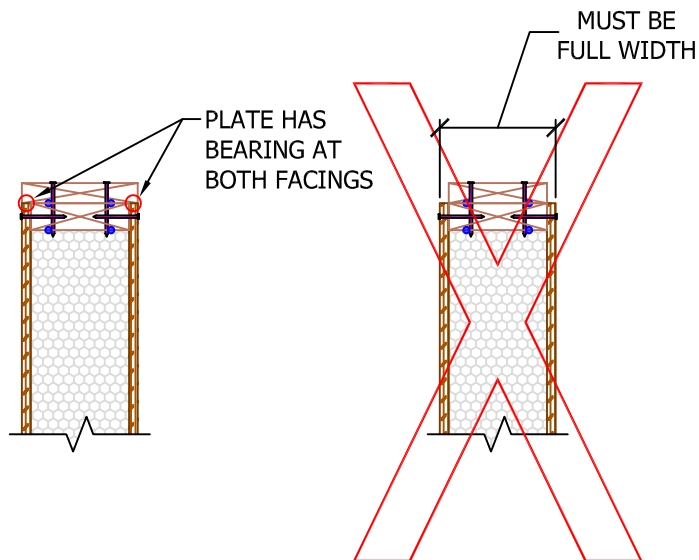
BOTH SIP WALL FACINGS MUST HAVE FULL BEARING. EXTERIOR FACING MUST NOT HANG OVER EDGE OF FLOOR SYSTEM OR OTHER BEARING.



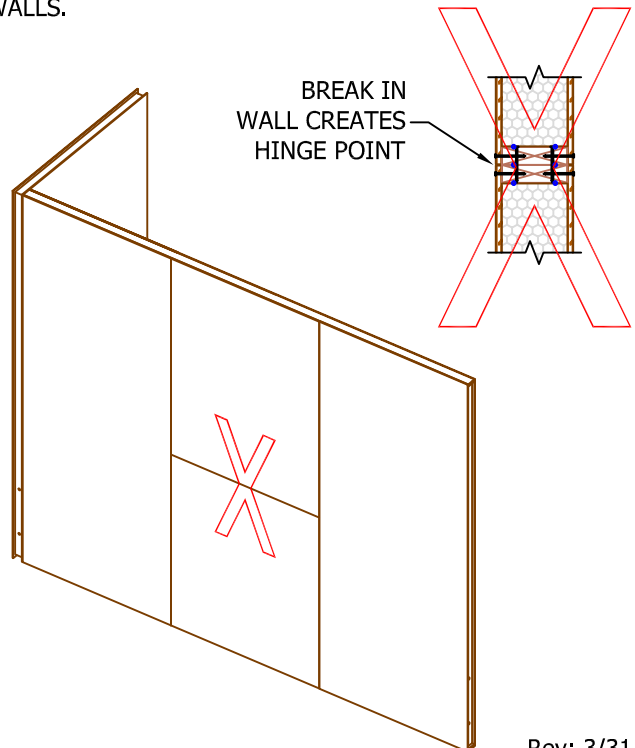
BOTH SIP WALL FACINGS CANNOT COME IN DIRECT CONTACT WITH CONCRETE. BEST PRACTICE IS TO USE A TREATED SILL PLATE BETWEEN CONCRETE AND BOTH SIP FACINGS. THERE MUST BE A CAPILLARY BREAK BETWEEN CONCRETE AND BOTH SIP FACINGS.



CAP PLATES INSTALLED TO TOP OF SIP WALL MUST BE FULL WIDTH OF SIP.



DO NOT HAVE UNSUPPORTED HORIZONTAL JOINTS IN WALL UNLESS SPECIFIC CONDITION IS DESIGNED BY A LICENSED STRUCTURAL ENGINEER. I.E. DON'T STACK WALLS.



N.T.S.

Rev: 3/31/2022

EPT-101A

SIP BEST PRACTICES EXAMPLES

