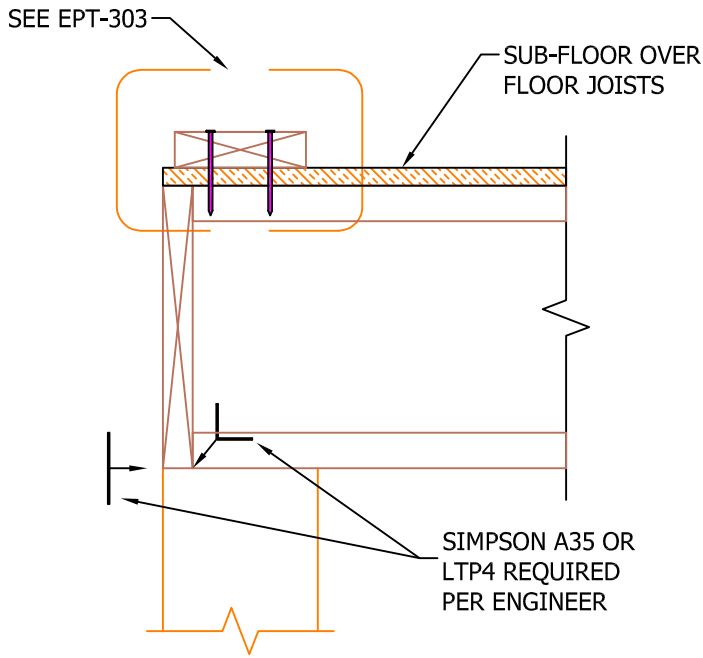
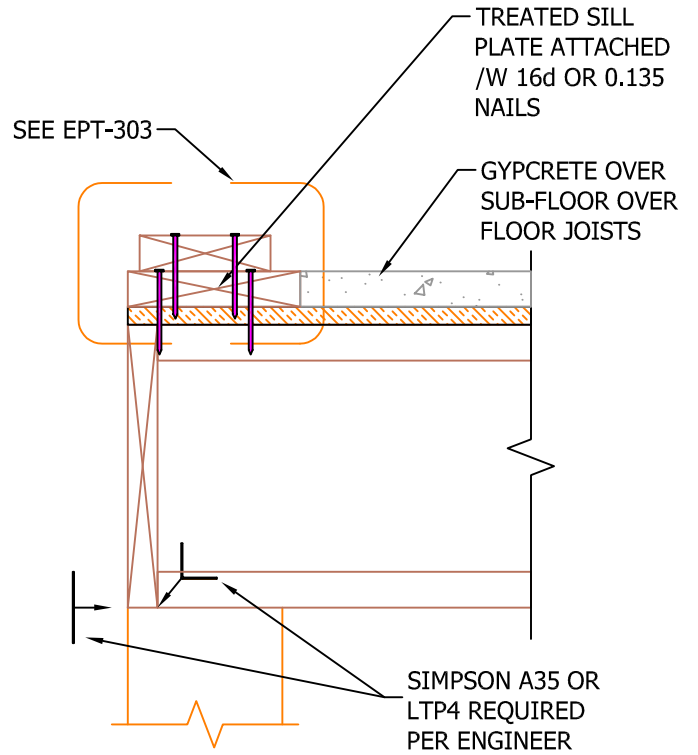


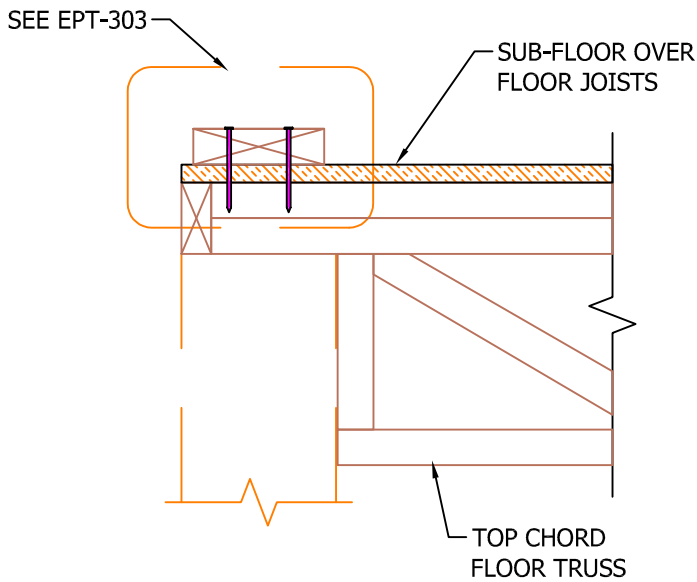
E: CONVENTIONAL FLOOR SYSTEM



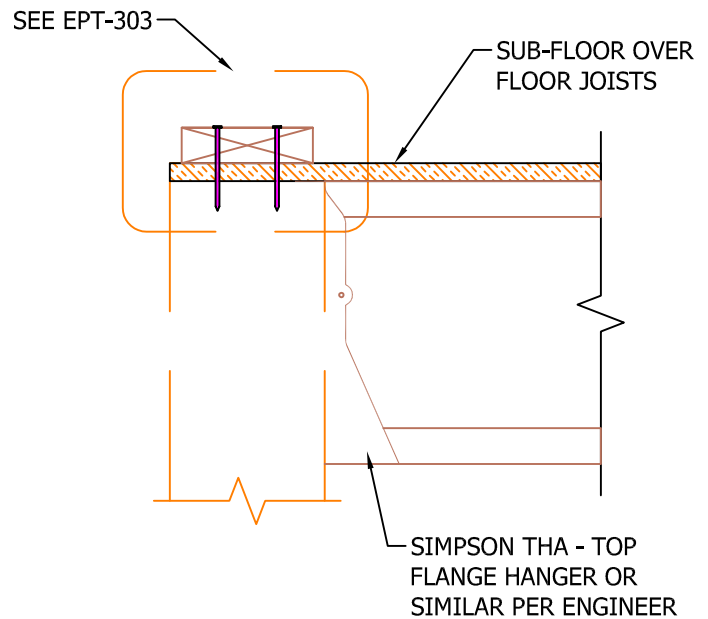
F: CONVENTIONAL FLOOR SYSTEM W/ GYPCRETE



G: TOP CHORD FLOOR SYSTEM



H: HANGING FLOOR SYSTEM



N.T.S.

Rev: 2/21/2023

EPT -304E-H

BOTTOM PLATE
FLOOR JOISTS TO WALL

