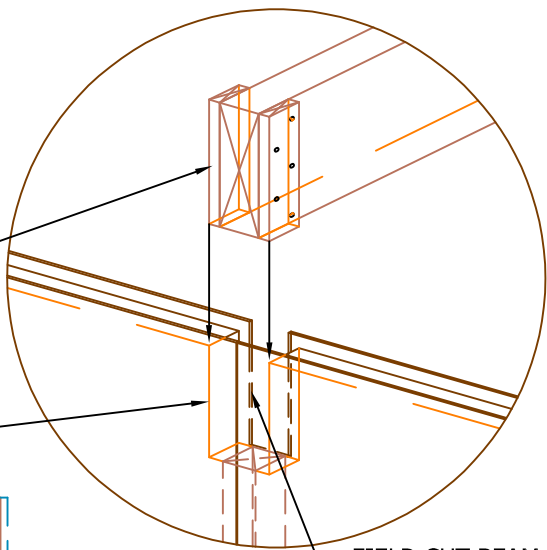


2x NAILERS INSTALLED  
ON EACH SIDE, FLUSH  
TO END OF BEAM

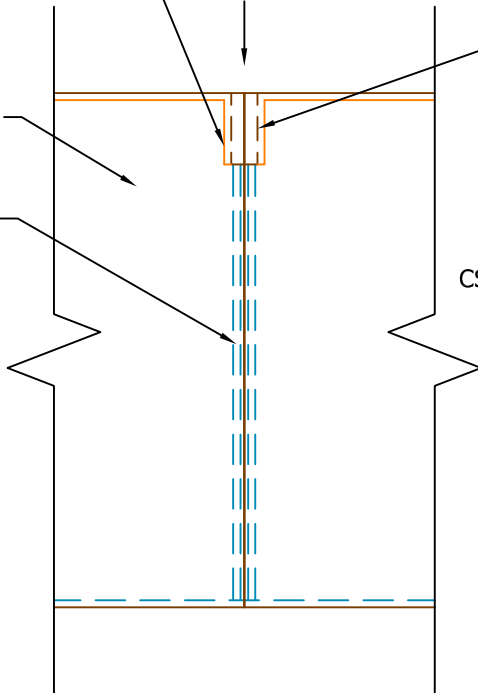
RECESS EPS TO  
RECEIVE BEAM  
& NAILERS



FIELD CUT BEAM POCKET TO FACE  
OF SIP WHERE BEAM PENETRATES.  
LEAVE OPPOSITE FACE INTACT

SIP WALL

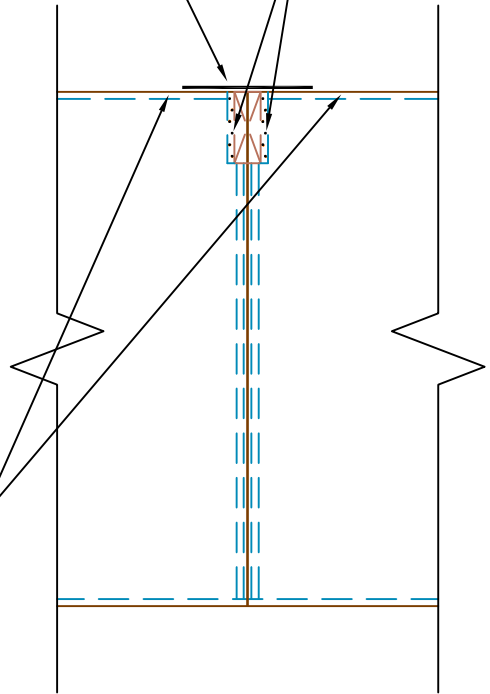
POST SPLINE  
PER PLAN



CS 16X24" OR LSTA24 STRAP  
ACROSS TOP OF BEAM

NAIL SIP FACING  
TO 2x NAILERS ON  
BOTH SIDES OF  
SIP PER EPT-100S  
U.N.O.

2x TOP PLATES  
BUTT INTO  
NAILERS



N.T.S.

Rev: 9/19/2022

EPT-414

# SIP BEAM POCKET AT TOP OF WALL WITH POST

