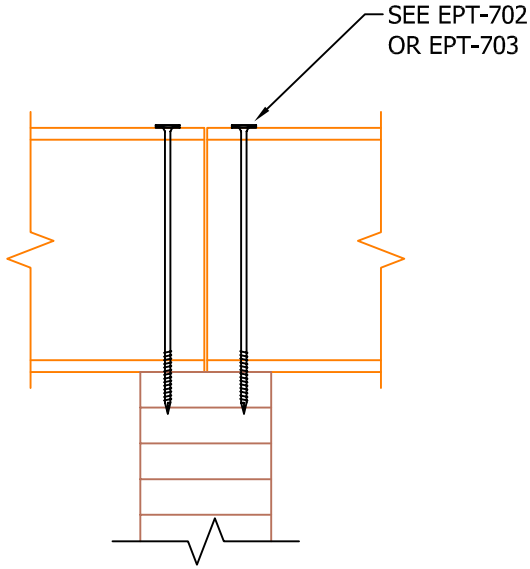
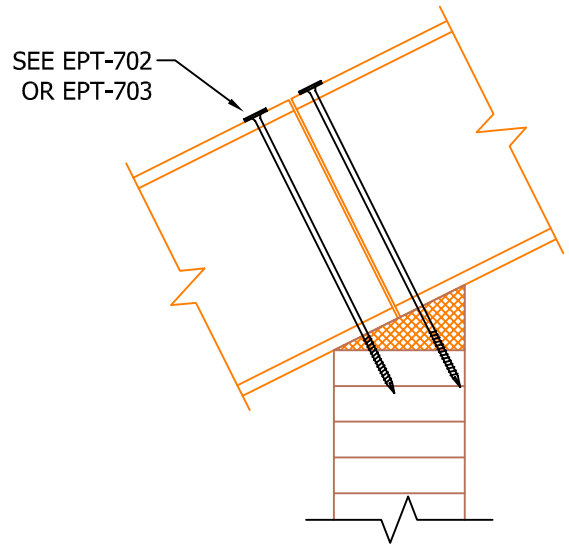


OPTION A:



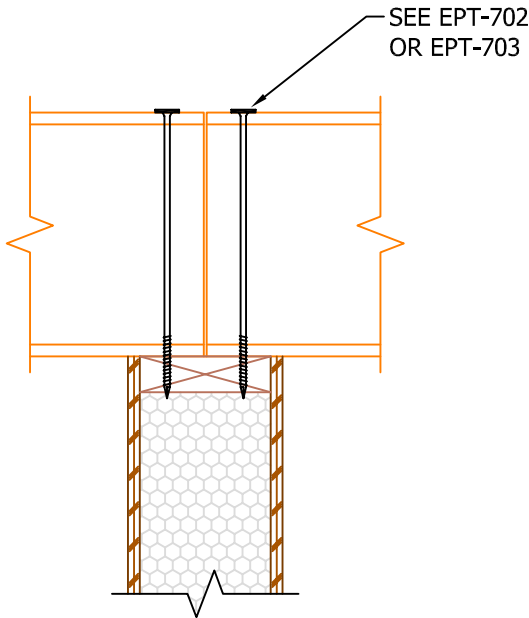
STRUCTURAL SUPPORT MIN. 3" WIDE TO PROVIDE
1 1/2" MIN. BEARING FOR EACH SIP

OPTION B:



STRUCTURAL SUPPORT MIN. 3" WIDE TO PROVIDE
1 1/2" MIN. BEARING FOR EACH SIP

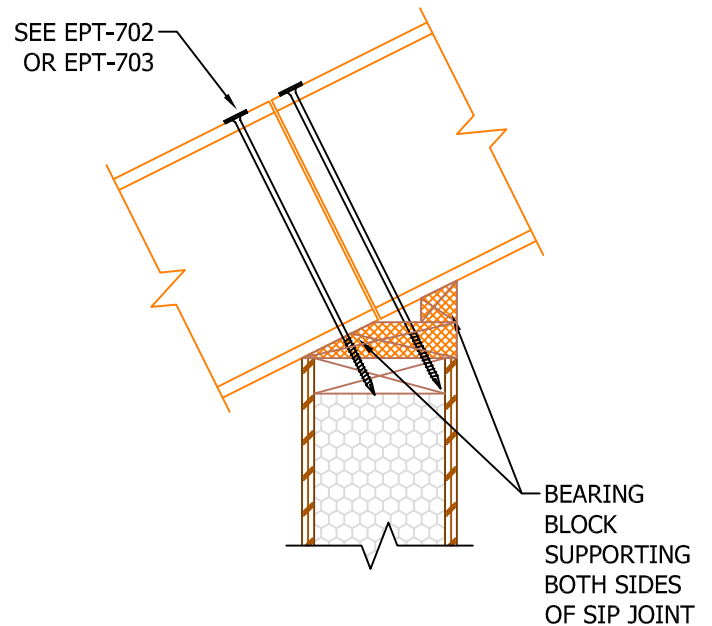
OPTION C:



STRUCTURAL SUPPORT MIN. 3" WIDE TO PROVIDE
1 1/2" MIN. BEARING FOR EACH SIP

N.T.S.

OPTION D:



STRUCTURAL SUPPORT MIN. 3" WIDE TO PROVIDE
1 1/2" MIN. BEARING FOR EACH SIP

Rev: 1/18/2023

EPT-601A-D

SIP BEARING CONDITIONS
SIP JOINT