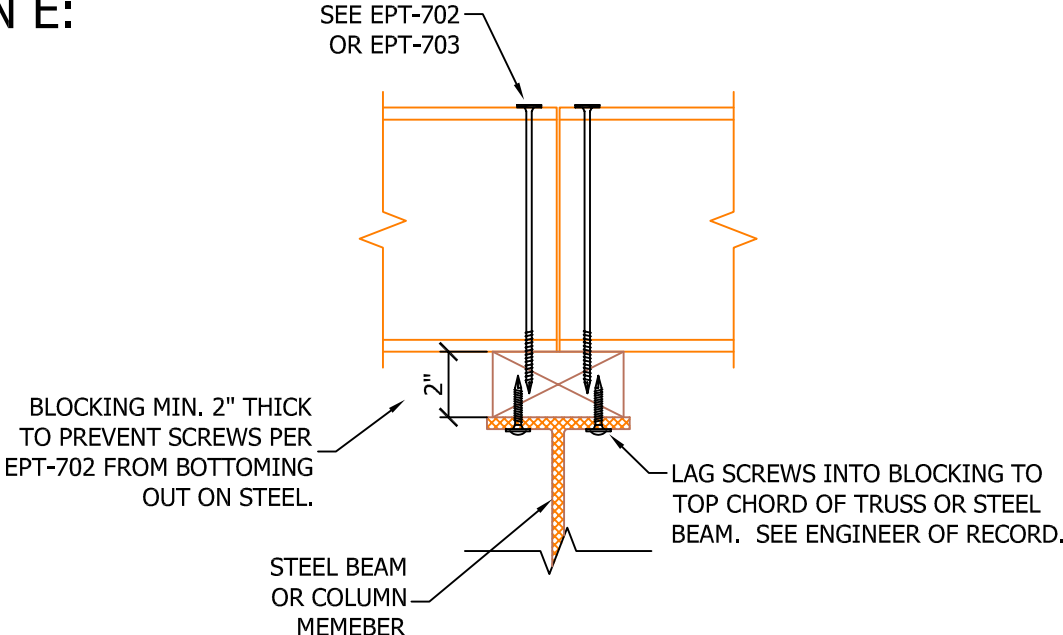
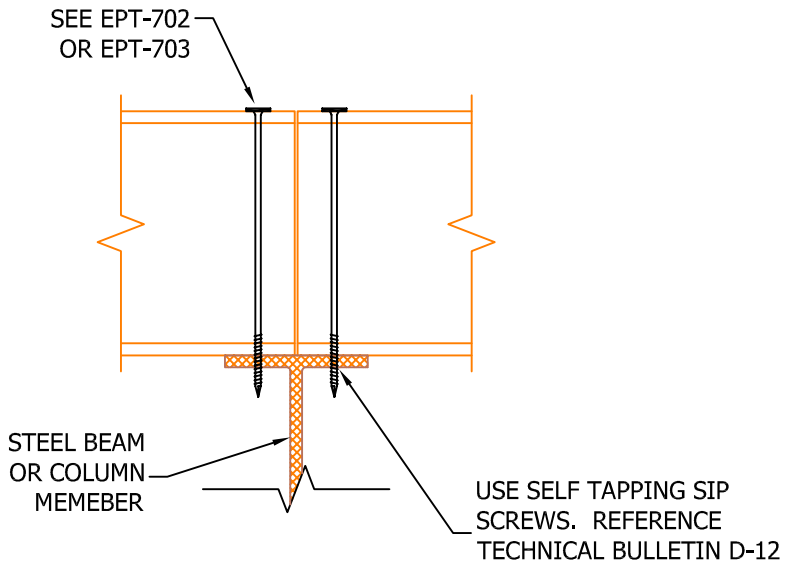


# OPTION E:



STRUCTURAL SUPPORT MIN. 3" WIDE TO PROVIDE 1 1/2" MIN. BEARING FOR EACH SIP

# OPTION F:



STRUCTURAL SUPPORT MIN. 3" WIDE TO PROVIDE 1 1/2" MIN. BEARING FOR EACH SIP

N.T.S.

Rev: 1/18/2023

EPT -601E-F

SIP BEARING CONDITIONS  
SIP JOINT

