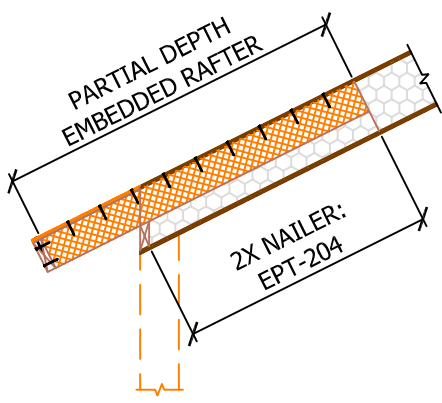


NOTE:
 OVERHANGS BETWEEN 2'-0" - 3'-0" MUST HAVE
 ADDITIONAL SUPPORT W/ 2x LOOKOUTS. OVER
 3'-0" REQUIRES END SUPPORT.

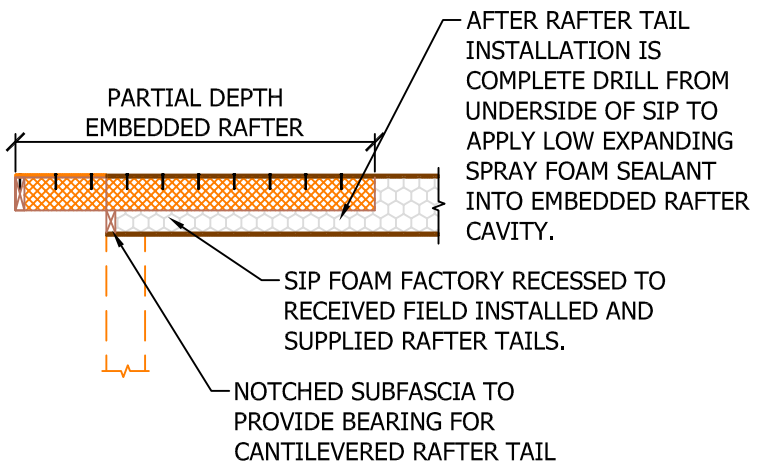
NOTCH SUBFASCIA AT
 RAFTER TAIL PENETRATIONS
 AND APPLY SIP SEALANT TO
 NOTCH PERIMETER. OR
 SOLID BLOCK BELOW RAFTER
 AT PANEL EDGE.

PARTIAL DEPTH RAFTER TAIL:



N.T.S.

PARTIAL DEPTH RAFTER TAIL:



Rev: 3/17/2023

EPT-720

**EXPOSED RAFTER TAILS
 PARTIAL DEPTH**

